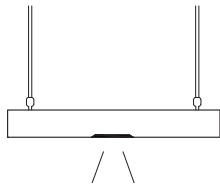




LIGHTED PERSONNEL DOOR CANOPY

Metallic Products' lighted personnel door canopies keep you covered. This economical, attractive overhead protection is built strong and designed to withstand the elements.



ALREADY HAVE A METALLIC PRODUCTS CANOPY?

Transform it into a lighted personnel door canopy with a **retrofit kit!**

Contact Metallic Products for kits and installation instructions.

SPECIFICATIONS

WIND LOAD	140 mph [IBC 2006 & 2009]
	4' Projection – Max Allowable Uplift = 61.5 psf
	5' Projection – Max Allowable Uplift = 50.8 psf
	180 mph [IBC 2012, 2015 & 2018]
	4' Projection – Max Ultimate Uplift = 102.5 psf
	5' Projection – Max Ultimate Uplift = 84.6 psf

SNOW LOAD <i>(Note: On the canopy)</i>	4' Projection 34 psf
	5' Projection 26 psf
	<i>(50 psf, 75 psf, 100 psf available upon request)</i>

Depending on canopy width, (10'-0" maximum) up to four hangers may be required per canopy section to achieve required wind and snow loads.

- Importance factor, $I = 1.0$ [Risk Category II]*
- Topographic factor, $K_{zt} = 1.0$
- Wind directionality, $k_d = 0.85$
- Ground elevation factor, $K_e = 1.0$
- Building mean roof height:
 - Max 60' above ground for Exposure-B
 - Max 40' above ground for Exposure-C [Exposure-C available in 4' projection only]

*Applies to IBC 2006 & 2009

NOTE: For more stringent loading criteria above and beyond the criteria listed herein, customized engineering analysis is available upon request.





CONSTRUCTION

- Single door contains one LED light in the center of soffit panels, double door contains two LED lights 20" from the edge width
- Wet rated LED downlight provides uniform luminance (120V, 990 lumens, 3000K color temperature) from a low profile flat lens
- LED lifetime of 50,000 hours
- ENERGY STAR-certified luminaire contains no mercury or lead
- Precision molded lens features high transmission polymer with UV stabilized protecting film
- Fixture mounted in soffit of canopy and sealed to top-mounted junction box
- Electrical contractor must ensure of fit, wiring and proper mounting in the electrical junction box. This includes all applicable national and local codes.
- 24-gauge flat soffit and integral gutter with rear-mounted drains
- 16-gauge galvanized internal frame for 4' projection and 14-gauge galvanized internal frame for 5' projection
- 5/8" diameter rod ends 4140 hot rolled annealed (HRA) [F.y = 125 ksi]
- 18-gauge telescoping support channels mount behind wall panel between girts, mounting clips and fasteners included
- 1/2" or 3/4" galvanized pipe hangers with adjustable rod ends
- Economical and attractive overhead protection from the elements
- Specifically designed for high wind load and heavy snow load areas

SIZES

- Standard sizes for single door (4'6" x 4'0") and double door (7'6" x 4'0"); also available in 3' and 5' projections
- Can be mulled together for continuous run applications. Mullions and secondary gutter provided when specified.
- Canopies are available in custom lengths up to 10'.

FINISHES

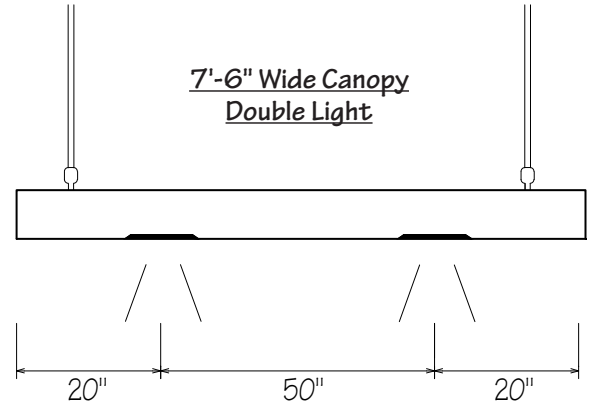
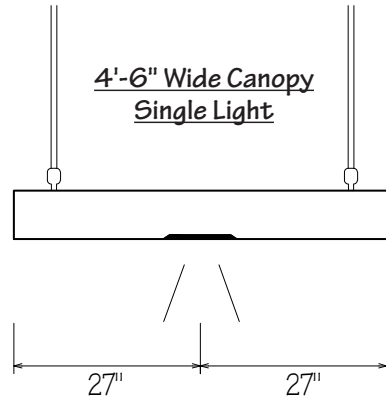
- Galvalume steel
- All standard metal building colors available in silicone polyester, Kynar[®] and powder coated finishes
- Custom color matching
- Single color or two tone (contrasting gutter/ fascia and soffit)

OPTIONS

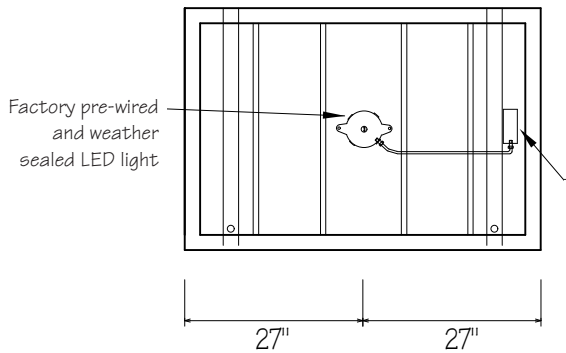
- Masonry mount (anchors by others)
- Downspouts
- Front mounted drains



TECHNICAL SPECIFICATIONS



4'-6" Wide Canopy Single Light
(Wall Side)



Junction box ready for field wiring to 120V supply (by others)

NOTE: Remove junction box from canopy frame as needed to access face plate

7'-6" Wide Canopy Double Light
(Wall Side)

