



# ALUMINUM FIXED STORMPROOF BLADE LOUVER

## STANDARD FEATURES

- .080 aluminum frame, 4" nominal depth
- Extruded aluminum .080 J-type blade, 45° angle
- Aluminum screen cloth installed in an extruded removable, rewireable aluminum frame
- Mill finish
- Architecturally styled, all aluminum construction for low maintenance and high resistance to corrosion

## OPTIONS

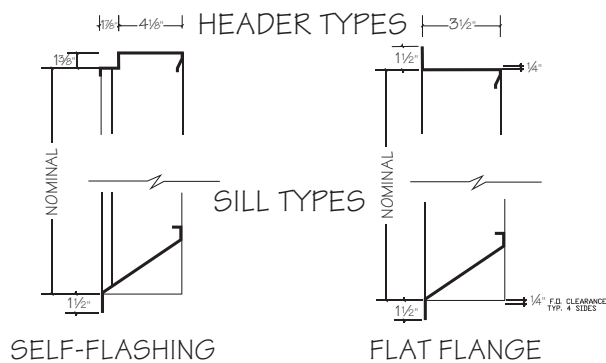
Changes to the base design of this louver are available at an additional cost, including:

- Extended sill
- A variety of bird or insect screens
- Powder coated finish
- Mullions, if needed (not for A Panel or R Panel types)

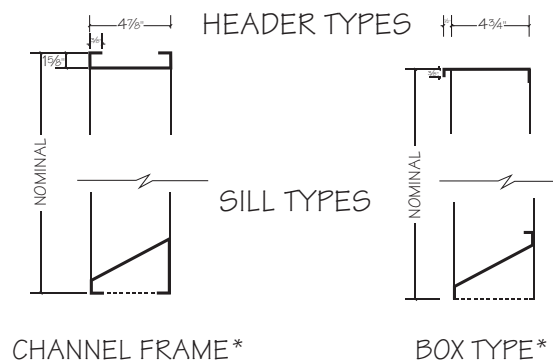
### NOTE

Minimum size is 12"x12"

### FIXED ALUM STORMPROOF BLADE – ONLY



### FIXED ALUM STORMPROOF BLADE CHANNEL FRAME/BOX TYPE



### JAMB TYPES

