



COMMERCIAL AND INDUSTRIAL ROOF-MOUNT FANS

Metallic Products is a distributor of mechanical ventilation equipment for the pre-engineered metal building industry. Our extensive mechanical ventilation line allows manufacturers, dealers and contractors to design or meet almost every type of ventilation requirement.

JET UPBLAST FANS – DIRECT DRIVE SPECIFICATIONS

STANDARD FEATURES

- 24" to 84" diameters available
- Galvanized steel inner throat
- Curb base made from heavy gauge galvanized sheet steel
- Wind band to protect from weather and cross wind
- Rain channel
- External and internal bracing
- Damper lids
- Damper bearings
- Positive bumper stops
- Neoprene bumper
- Lifting lugs

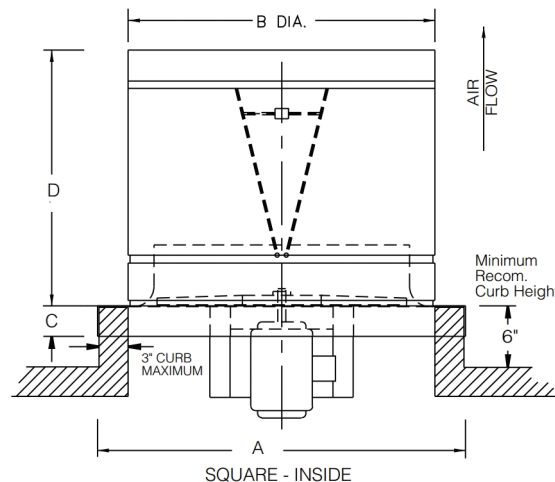
OPTIONS

- 4 to 6 blade cast aluminum propeller
- 24° to 40° blade angles available
- Large capacity motors (up to 15 hp)



NOTE

Metallic Products offers fans from other suppliers for custom orders.



JD (DIRECT DRIVE)

MODEL	DIMENSIONS			
	A	B	C	D
JD-24	36	33	3	25
JD-30	42	39	3	28
JD-36	48	45	3	31
JD-42	54	51	3	34
JD-48	60	57	3	37
JD-54	66	63	3	40
JD-60	72	69	3	43





TECHNICAL SPECIFICATIONS

DIRECT DRIVE FANS | 4 BLADE CAST ALUMINUM PROPELLER

MODEL	HP	RPM	TIP SPEED	PEAK BHP	CFM							
					.00"SP	.10"SP	.125"SP	.25"SP	.375"SP	.50"SP	.75"SP	1.00"SP
JD 24" BLADE												
JD-24-DD	1/2	1140	7159	.48	5400	5320	5250	4600	3860	3050	990	
JD-24-DD	3/4	1140	7159	.72	6830	6410	6290	5670	5010	4320	2810	
JD-24-DD	1-1/2	1750	10990	1.15	8320	8140	8100	7790	7450	7050	6200	
JD-24-DD	2	1750	10990	2.19	10100	9840	9780	9240	9085	8700	7900	
JD 30" BLADE												
JD-30-DD	1/2	860	6751	.48	7770	7180	6950	5720	4170	1870		
JD-30-DD	3/4	860	6751	.71	9340	8650	8420	7210	5810	4090		
JD-30-DD	1	1140	8949	1.1	10400	10020	9950	9120	8210	7200	4670	
JD-30-DD	2	1140	8949	1.73	12500	12080	11920	11080	10190	9220	7010	4150
JD-30-DD	3	1750	13737	3.28	15300	15000	14900	14450	14000	13500		
JD 36" BLADE												
JD-36-DD	3/4	860	8110	.702	12003	11404	11217	9946	8436	6790	3253	
JD-36-DD	1	860	8110	1.17	15046	14246	14059	12937	11674	10208	5369	2692
JD-36-DD	2	1150	10845	1.68	16050	15500	15300	14200	12850	11300	7850	4350
JD-36-DD	3	1150	10845	2.85	20120	19370	19100	18020	16920	15600	12450	7185
JD-36-DD	5	1150	10845	4.87	21370	20920	20800	20150	19450	18680	16700	13960
JD-36-DD	7-1/2	1150	10845	7.80	24650	24150	24000	23180	22300	21400	19300	16050





TECHNICAL SPECIFICATIONS

DIRECT DRIVE FANS | 6 BLADE CAST ALUMINUM PROPELLER

MODEL	HP	RPM	TIP SPEED	PEAK BHP	CFM							
					.00"SP	.10"SP	.125"SP	.25"SP	.375"SP	.50"SP	.75"SP	1.00"SP
JD 42" BLADE												
JD-42-DD	2	860	9460	2.23	20051	19391	19165	18281	17361	16292	13753	10081
JD-42-DD	5	860	9460	5.49	29021	28342	28013	27072	25929	24727	22156	15046
JD-42-DD	5	1150	12650	5.21	26812	26127	26076	25089	24120	23142	21504	18354
JD-42-DD	10	1150	12650	9.89	32709	32054	31820	30900	29907	28970	26860	24397
JD 48" BLADE												
JD-48-DD	3	860	10810	2.91	27800	26700	23400	24600	22800			
JD-48-DD	5	860	10810	5.39	35280	33364	32979	31317	29776	27966	23439	15081
JD-48-DD	10	1150	14456	10.16	43737	42515	42129	40441	38628	37182	33589	29129
JD-48-DD	15	1150	14456	14.14	46907	45673	45244	43772	42551	41096	39039	36150
JD 54" BLADE												
JD-54-DD	5	860	12160	5.02	38900	37400	37000	35100	33100			
JD-54-DD	7-1/2	860	12160	7.34	45662	44360	43854	41438	38668	36165	31356	24622
JD 60" BLADE												
JD-60-DD	5	860	13510	5.19	41800	40300	39900	37600	35000			
JD-60-DD	10	860	13510	10.21	57483	55349	54918	49652	44905	41085	33906	18585

