



## COMMERCIAL AND INDUSTRIAL ROOF-MOUNT FANS

Metallic Products is a distributor of mechanical ventilation equipment for the pre-engineered metal building industry. Our extensive mechanical ventilation line allows manufacturers, dealers and contractors to design or meet almost every type of ventilation requirement.

### JET UPBLAST FANS – BELT DRIVE SPECIFICATIONS

#### STANDARD FEATURES

- 24" to 84" diameters available
- Belt driven
- Curb base made from heavy gauge galvanized sheet steel
- Wind band to protect from weather and cross wind
- Rain channel
- External and internal bracing
- Damper lid positive
- Damper bearings
- Positive bumper stops
- Neoprene bumper
- Lifting lugs

#### OPTIONS

- Motor in or out of airstream
- 4- to 6-blade cast aluminum propeller
- Large capacity motors (up to 25 hp and 1926 RPM)

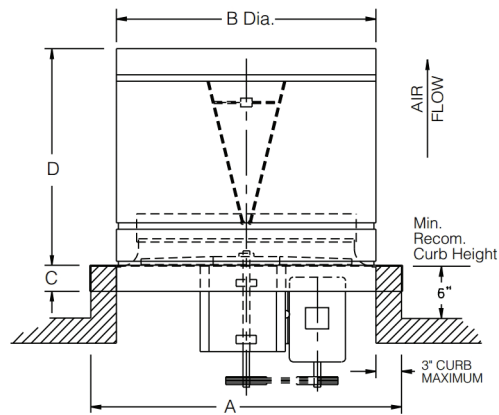


#### NOTE

Metallic Products offers fans from other suppliers for custom orders.



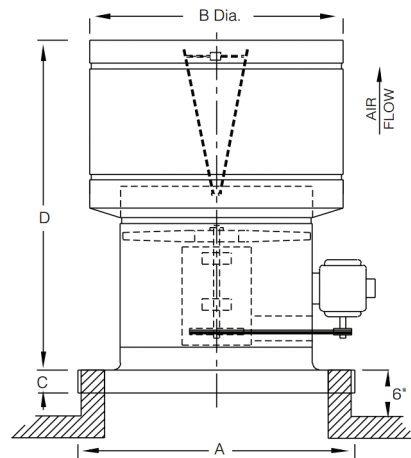
## TECHNICAL SPECIFICATIONS



### JBI (BELT DRIVE)

Motor in Airstream

MODEL	DIMENSIONS			
	A	B	C	D
JBI-24	36	33	3	25
JBI-30	42	39	3	28
JBI-36	48	45	3	31
JBI-42	54	51	3	34
JBI-48	60	57	3	37
JBI-54	66	63	3	40
JBI-60	72	69	3	43
JBI-72	84	80	3	49
JBI-84	96	92	3	49



### JBX (BELT DRIVE)

Motor out of Airstream

MODEL	DIMENSIONS			
	A	B	C	D
JBX-24	36	33	3	46
JBX-30	42	39	3	59
JBX-36	48	45	3	59
JBX-42	54	51	3	62
JBX-48	60	57	3	65
JBX-54	66	63	3	68
JBX-60	72	69	3	77
JBX-72	84	80	3	86
JBX-84	96	92	3	92



# TECHNICAL SPECIFICATIONS

## BELT DRIVE FANS | 4 BLADE CAST ALUMINUM PROPELLER

MODEL	HP	RPM	TIP SPEED	PEAK BHP	CFM							
					.00"SP	.10"SP	.125"SP	.25"SP	.375"SP	.50"SP	.75"SP	1.00"SP
<b>JBI 24" BLADE</b>												
JBI-24-BD	1/4	924	5802	.27	4696	4160	4013	2879	1779	1083		
JBI-24-BD	1/3	1021	6411	.34	5159	4624	4470	3528	2213	1472		
JBI-24-BD	1/2	1063	6676	.52	6031	5548	5408	4678	3345	2459	1226	
JBI-24-BD	3/4	1193	7492	.74	6674	6386	6280	5720	5029	3889	2416	1422
JBI-24-BD	1	1335	8384	1.01	7607	7219	7118	6591	6006	5226	3295	2231
JBI-24-BD	1-1/2	1529	9602	1.49	8690	8283	8219	7726	7224	6675	3415	1464
JBI-24-BD	2	1693	10632	1.89	9324	9064	8964	8603	8195	7885	6754	4932
JBI-24-BD	3	1926	12095	2.84	10735	10482	10421	10120	9782	9424	8870	7732
<b>JBI 30" BLADE</b>												
JBI-30-BD	1/2	884	6939	.52	8471	7505	7244	5219	2968	1385		
JBI-30-BD	3/4	891	6994	.77	9554	8754	8533	7187	5453	3580	1028	
JBI-30-BD	1	980	7693	1.00	10535	9799	9595	8482	6623	5017	1869	
JBI-30-BD	1-1/2	1118	8776	1.49	12077	11452	11270	10436	9042	7490	4376	2061
JBI-30-BD	2	1250	9812	1.96	13247	12659	12527	11683	10847	9280	6738	3514
JBI-30-BD	3	1462	11476	2.95	15196	14685	14542	13872	13137	12399	9806	7625
JBI-30-BD	5	1773	13297	4.92	18042	17612	17487	16983	16342	15721	14338	12049
<b>JBI 36" BLADE</b>												
JBI-36-BD	1	821	7742	1.02	13617	12386	12052	10218	7693	4239		
JBI-36-BD	1-1/2	939	8854	1.51	15586	14542	14261	12794	10941	8514	3475	
JBI-36-BD	2	1035	9760	2.02	17330	16353	16072	14747	13168	11290	5645	2482
JBI-36-BD	3	1177	11099	2.97	19671	18800	18560	17635	16173	14710	10793	5983
JBI-36-BD	5	1396	13164	4.94	23356	22614	22434	21454	20451	19426	16901	13814
JBI-36-BD	7-1/2	1607	15154	7.42	27596	26023	25892	25063	24182	23349	21470	19131



# TECHNICAL SPECIFICATIONS

## BELT DRIVE FANS | 6 BLADE CAST ALUMINUM PROPELLER

MODEL	HP	RPM	TIP SPEED	PEAK BHP	CFM							
					.00"SP	.10"SP	.125"SP	.25"SP	.375"SP	.50"SP	.75"SP	1.00"SP
<b>JBI 42" BLADE</b>												
JBI-42-BD	1-1/2	617	6787	1.49	17466	16092	15751	13761	11155	5842		
JBI-42-BD	2	678	7458	2.00	19192	17979	17642	15956	13841	10631		
JBI-42-BD	3	776	8536	3.00	21941	20889	20624	19191	17581	15686	8112	
JBI-42-BD	5	928	10208	4.99	26221	25409	25180	23912	22157	21416	18256	
JBI-42-BD	7-1/2	1073	11803	7.47	30336	29621	29432	28391	27464	26342	23901	
JBI-42-BD	10	1193	13112	10.02	33712	33182	32910	31994	31089	30300	28202	
<b>JBI 48" BLADE</b>												
JBI-48-BD	1-1/2	560	7039	1.5	22880	20396	19925	17211	13162	5069		
JBI-48-BD	2	616	7743	1.99	25121	22820	22341	20116	17125	11701		
JBI-48-BD	3	706	8874	3.01	28810	26654	26328	24406	22134	19320	8359	
JBI-48-BD	5	836	10508	5.00	34116	32141	31710	30149	28610	26611	21691	
JBI-48-BD	7-1/2	962	12092	7.56	39231	37313	37108	35596	34192	32832	29341	
JBI-48-BD	10	1062	13349	10.11	43332	41692	41331	39830	38489	37282	34543	
<b>JBI 54" BLADE</b>												
JBI-54-BD	2	560	7918	2.01	29549	27116	26231	22452	18516	9149		
JBI-54-BD	3	641	9063	3.00	33821	31829	31219	27621	24366	20776	4416	
JBI-54-BD	5	761	10760	5.02	40147	38541	38127	35109	32218	29484	23046	
JBI-54-BD	7-1/2	872	12330	7.48	45992	44736	44292	41898	39298	36790	32026	
JBI-54-BD	10	962	13602	10.10	50732	49706	49311	47386	44814	42424	38072	
<b>JBI 60" BLADE</b>												
JBI-60-BD	2	500	7855	2.00	33261	29196	27684	22390	14898	4682		
JBI-60-BD	3	572	8986	3.00	38134	35106	33610	28232	24249	15987		
JBI-60-BD	5	679	10667	5.02	45127	42998	42176	36763	32816	29546	16454	
JBI-60-BD	7-1/2	777	12202	7.48	51633	50147	49372	44879	40689	37311	31222	
JBI-60-BD	10	855	13432	10.09	56828	55528	54951	51351	47996	43526	37940	
<b>JBI 72" BLADE</b>												
JBI-72-BD	3	363	6842	3.12	47600	42600	41300	34400				
JBI-72-BD	5	413	8048	5.08	54200	49800	48700	42900	36000			
JBI-72-BD	7-1/2	488	9198	7.49	64000	60200	59300	54600	49600	43900		
JBI-72-BD	10	536	10103	10.06	70300	66800	65900	61700	57400	52700		
JBI-72-BD	15	618	11649	15.16	81100	78000	77300	73800	69900	66200	57600	
JBI-72-BD	20	690	13006	20.98	90500	87800	87100	83900	80600	77200	70300	
<b>JBI 84" BLADE</b>												
JBI-84-BD	5	370	8140	5.01	68200	62500	61000	52600				
JBI-84-BD	7-1/2	424	9328	7.51	78100	73200	72000	65100	57200	49700		
JBI-84-BD	10	466	10252	9.97	85900	81400	80300	74200	67500	59600		
JBI-84-BD	15	534	11748	15.04	98400	94500	93600	88500	83000	77000		
JBI-84-BD	20	588	12936	20.10	108400	104800	103900	99500	94600	89400	77800	
JBI-84-BD	25	635	13970	25.18	117000	113700	112900	108800	104400	99900	89700	

