

ICE SHIELD CANOPY

Outwit Mother Nature with a Metallic Products ice shield canopy. These gable canopies are engineered specifically for heavy snow and ice areas and provide protection from dangerous eave ice shear.

SPECIFICATIONS

DESIGN SPECIFICATIONS

IBC 2012 & 2015

ASCE 7-10 allowable stress design

*IBC 2018 ASCE 7-16 allowable stress design

5'-6" x 3'-0"	121 psf snow/live load
	135 psf wind uplift
5'-6" x 4'-0"	64 psf snow/live load
	67 psf wind uplift
7'-6" x 3'-0"*	72 psf snow/live load
	106 psf wind uplift
7'-6" x 4'-0"	45 psf snow/live load
	49 psf wind uplift

CONSTRUCTION

Fabricated 10-gauge structural plate. All welded construction.

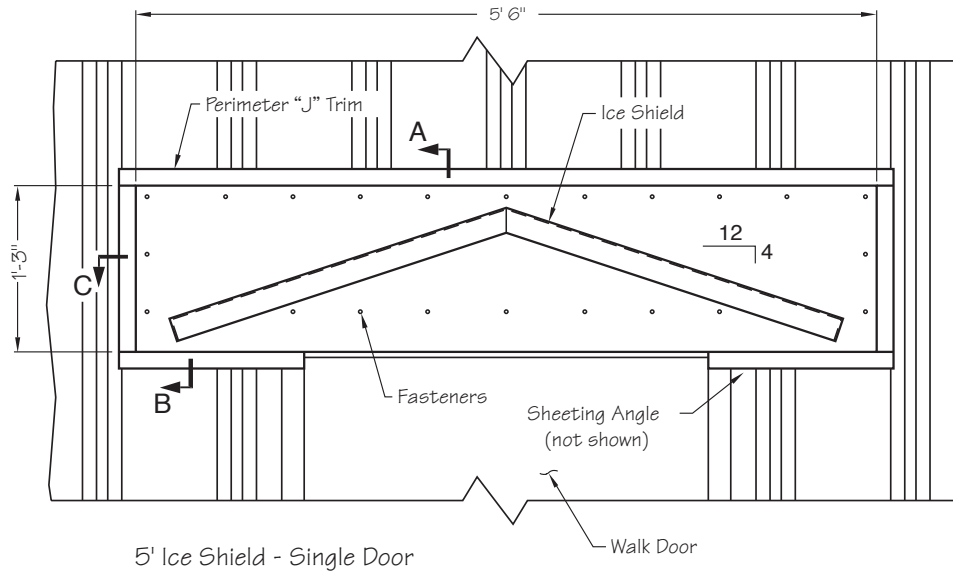
SIZE

Available in single or double door sizes. Nominal 5'-6" x 3'-0", 5'-6" x 4'-0", 7'-6" x 3'-0" and 7'-6" x 4'-0". Refer to Technical Specifications for actual dimensions.

FINISH

- G-90 galvanized
- Powder coated standard metal building colors
- Custom color matching

TECHNICAL SPECIFICATIONS



ICE SHIELD CANOPY KIT COMPONENTS:

- Ice Shield Canopy (10-ga.)
- Perimeter "J" Trim (26-ga.)
- Sheeting Angle (16-ga.)
- Fasteners (#12 x 1 SDS)
- Sealant Caulk (Clear)

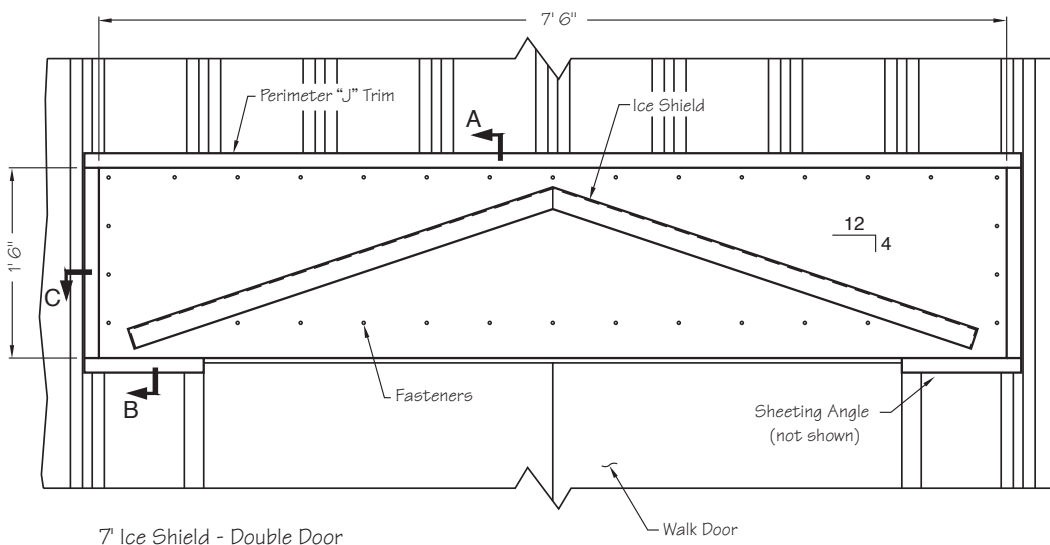
Quantities and lengths of components vary based on size required.

SPECIAL CONSIDERATIONS:

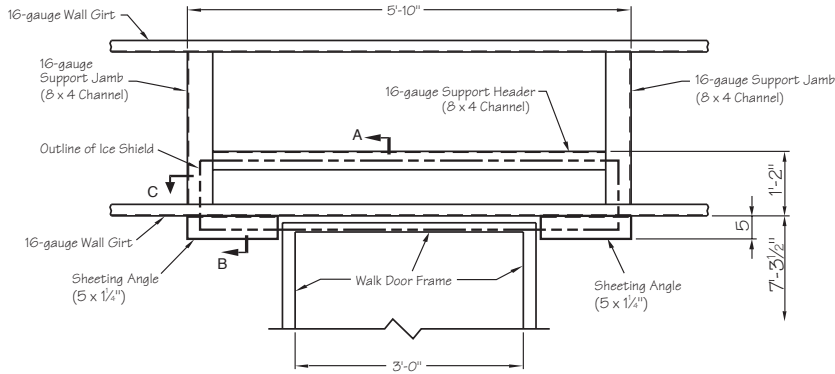
Ice shield canopy wall plates are pre-punched for fastening to 16-gauge wall framing at predetermined locations. If the hole edge distance on standard ice shield canopies requires modification to accommodate special framing, please specify when ordering.

These gable canopies are provided with stiffener channels welded to the back side of the wall plate. To accommodate block wall installations, additional mounting holes replace stiffener channels for flat surface mounting. Please note this condition when ordering.

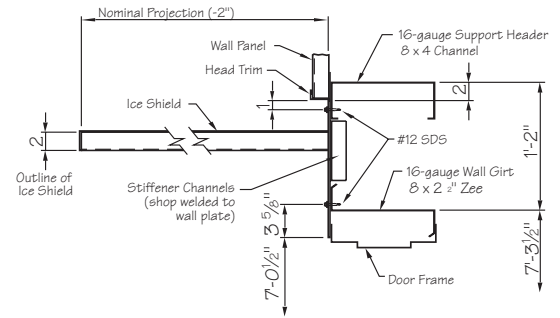
Fasteners for block wall mounting are not provided by Metallic Products.



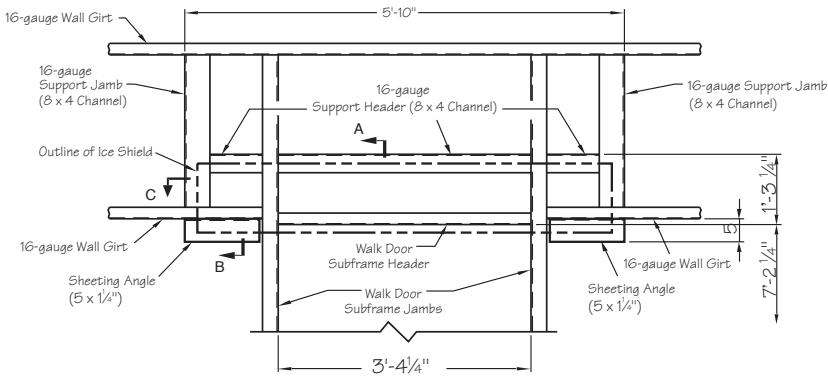
TECHNICAL SPECIFICATIONS — SINGLE DOOR



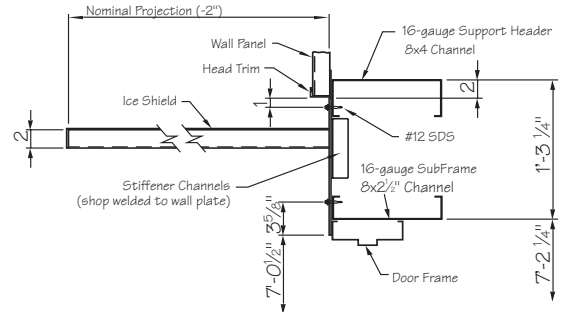
Typical Ice Shield Wall Framing (Single Door)



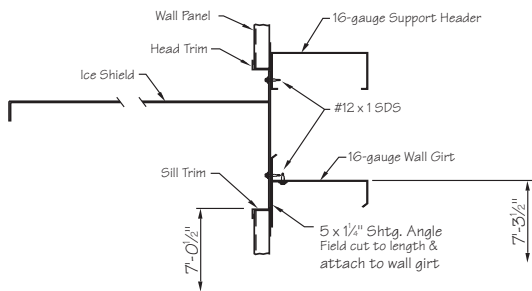
Section - A
Single Door w/o Subframe



Typical Ice Shield Wall Framing (Single Door w/Subframe)



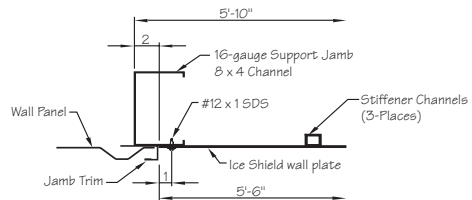
Section - A
Single Door w/o Subframe



Section - B

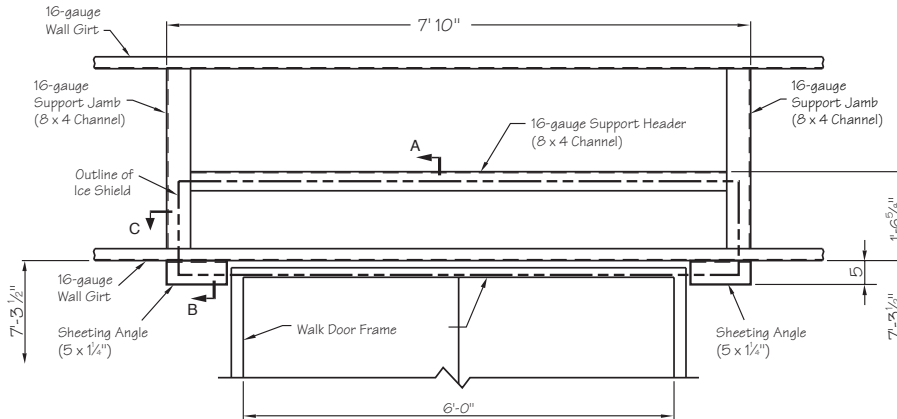
FRAMING NOTE:

Framing shown is based on industry standards for typical walk door framing on metal buildings. Actual door and wall conditions may vary.

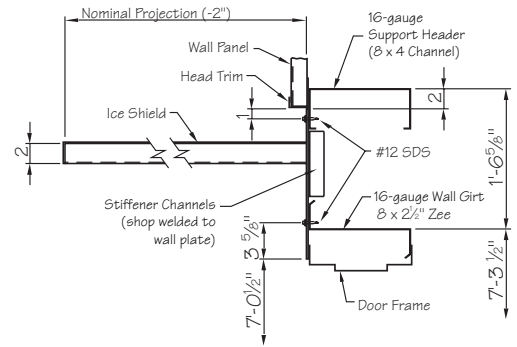


Section - C
Single Door

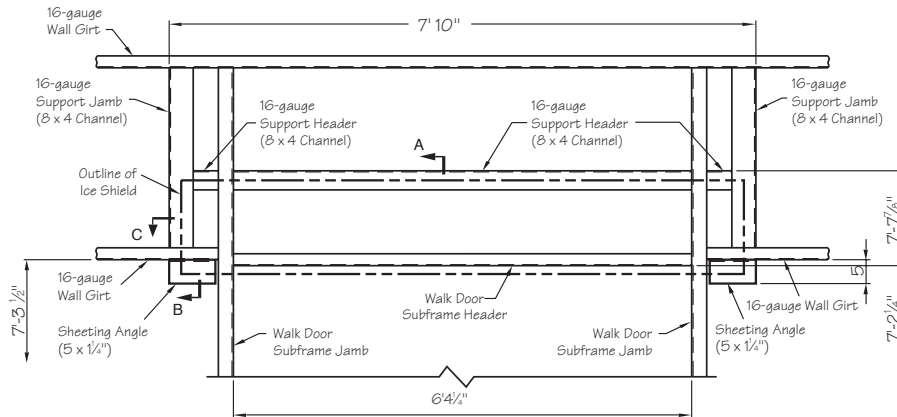
TECHNICAL SPECIFICATIONS — DOUBLE DOOR



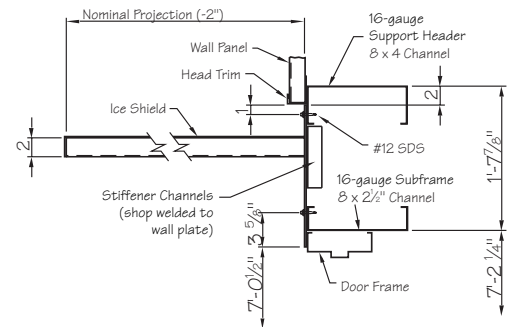
Typical Ice Shield Wall Framing (Double Door)



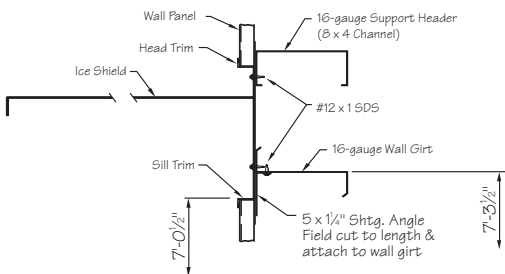
Section - A
Double Door w/o Subframe



Typical Ice Shield Wall Framing (Double Door w/Subframe)



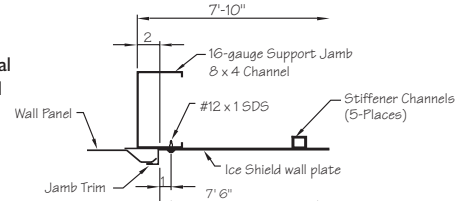
Section - A
Double Door w/Subframe



Section - B

FRAMING NOTE:

Framing shown is based on industry standards for typical walk door framing on metal buildings. Actual door and wall conditions may vary.



Section - C
Double Door