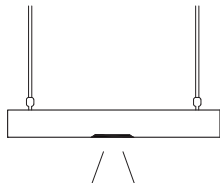




## LIGHTED PERSONNEL DOOR CANOPIES

Metallic Products keeps you covered with lighted personnel door canopies. Make sure you have economical and attractive overhead protection from the elements with our canopies. This product is specifically designed to withstand the elements.



### ALREADY HAVE A METALLIC PRODUCTS CANOPY?

Transform it into a lighted personnel door canopy with a **retrofit kit!**

Contact Metallic Products for kits and installation instructions.

## SPECIFICATIONS

<b>WIND LOAD</b>	<b>140 mph [IBC 2006 &amp; 2009]</b>
	4' Projection – Max Allowable Uplift = 61.5 psf
	5' Projection – Max Allowable Uplift = 50.8 psf
	<b>180 mph [IBC 2012 &amp; 2015]</b>
	4' Projection – Max Ultimate Uplift = 102.5 psf
	5' Projection – Max Ultimate Uplift = 84.6 psf
<b>SNOW LOAD</b> <i>(Note: On the canopy)</i>	4' Projection 34 psf
	5' Projection 26 psf
	<i>(50 psf, 75 psf, 100 psf available upon request)</i>

Depending on canopy width, (10'-0" maximum) up to four hangers may be required per canopy section to achieve required wind and snow loads.

- Importance factor,  $I = 1.0$  [Risk Category II]
- Topographic factor,  $K_{zt} = 1.0$
- Wind directionality,  $k_d = 0.85$
- Elevation of canopy:
  - Max 30' above ground for Exposure-B
  - Max 15' above ground for Exposure-C [Exposure-C available in 4' projection only]
- Canopy shall not be located in the corner zone of the building ['a' dimension]





## CONSTRUCTION

- Single door contains one LED light in the center of soffit panels, double door contains two LED lights 20" from the edge width
- Wet rated LED downlight provides uniform luminance (120V, 780 lumens, 4000K color temperature) from a low profile flat lens
- LED lifetime of 50,000 hours
- ENERGY STAR-certified luminaire contains no mercury or lead
- Precision molded lens features high transmission polymer with UV stabilized protecting film
- Fixture mounted in soffit of canopy and sealed to top-mounted junction box
- Electrical contractor must ensure of fit, wiring and proper mounting in the electrical junction box. This includes all applicable national and local codes.
- 24-gauge flat soffit and integral gutter with rear-mounted drains
- 16-gauge galvanized internal frame for 4' projection and 14-gauge galvanized internal frame for 5' projection
- 5/8" diameter rod ends 4140 hot rolled annealed (HRA) [ $F_y = 125$  ksi]
- 16-gauge telescoping support channels mount behind wall panel between girts, mounting clips and fasteners included
- 1/2" or 3/4" galvanized pipe hangers with adjustable rod ends
- Economical and attractive overhead protection from the elements
- Specifically designed for high wind load and heavy snow load areas

## SIZES

- Standard sizes for single door (4'6" x 4'0") and double door (7'6" x 4'0"); also available in 3' and 5' projections
- Can be mulled together for continuous run applications. Mullions and secondary gutter provided when specified.

## FINISHES

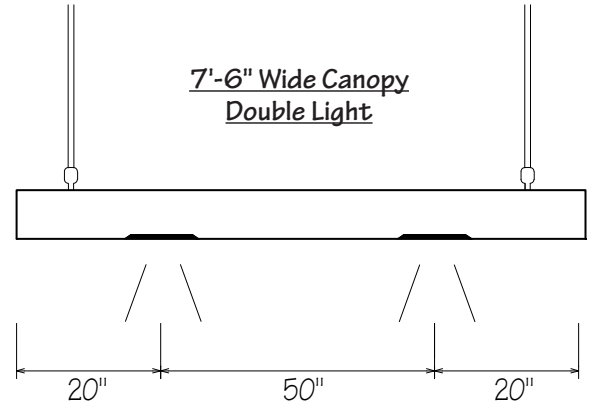
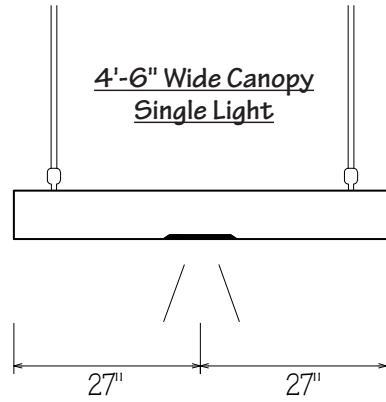
- Galvalume steel
- All standard metal building colors available in silicone polyester, Kynar® and powder coated finishes
- Custom color matching
- Single color or two tone (contrasting gutter/fascia and soffit)

## OPTIONS

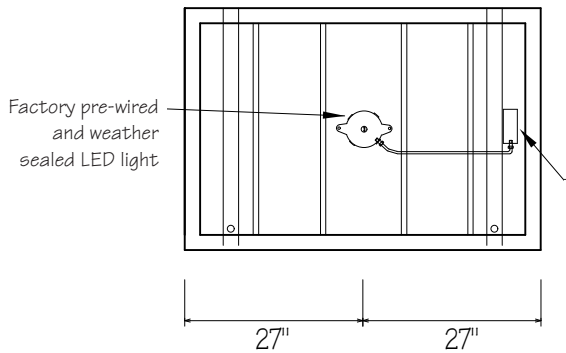
- Masonry mount (anchors by others)
- Decorative wall accents
- Downspouts
- Front mounted drains



## TECHNICAL SPECIFICATIONS



**4'-6" Wide Canopy Single Light**  
(Wall Side)



Junction box ready for field wiring to 120V supply (by others)

**NOTE:** Remove junction box from canopy frame as needed to access face plate

**7'-6" Wide Canopy Double Light**  
(Wall Side)

