



TURBINE VENTILATORS

Don't settle for bad airflow. Outsmart stagnant air with the turbine ventilator. Turbine vents are a compact, aesthetically pleasing and extremely efficient means of ventilation. This vent is assisted by wind for optimal airflow.



SPECIFICATIONS

STANDARD SIZE

The turbine ventilator comes standard in a 12", 14", 16", 18", 20" or 24" throat size. Other sizes available upon request.

CONSTRUCTION

Turbine ventilators are constructed of 24-gauge galvanized steel with bronze, oil-impregnated top bearings and bottom thrust-type bearings. All standard-size turbines are externally braced for high winds and provide noise-free operation.

DAMPERS

Dampers are available upon request. Damper has pull-chain operator.

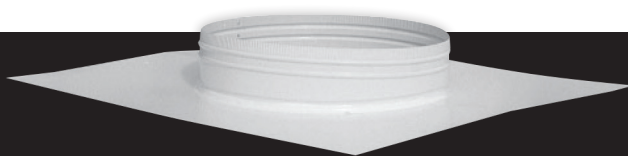
BASE DESIGN

The base is specifically designed for final installation with a specified roof slope: ridge or single slope, and flat or mounted into specified roof panel. Base and ventilating unit are furnished preassembled, ready for installation. Single slope bases are mounted directly into roof panel and are placed in such a way as to prevent damming.

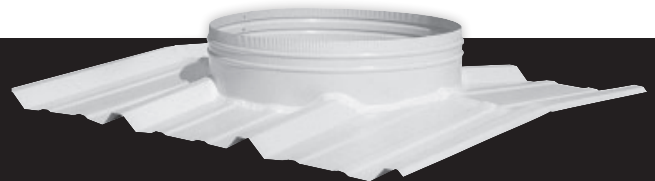
NOTE

When ordering, please specify roof slope, base type, damper pull chain and paint color.

BASE TYPES



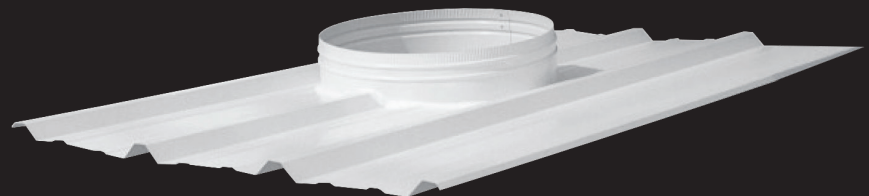
TYPE 1



TYPE 2



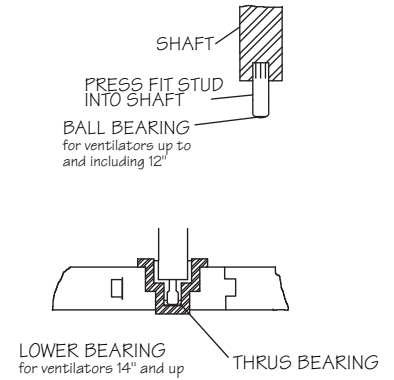
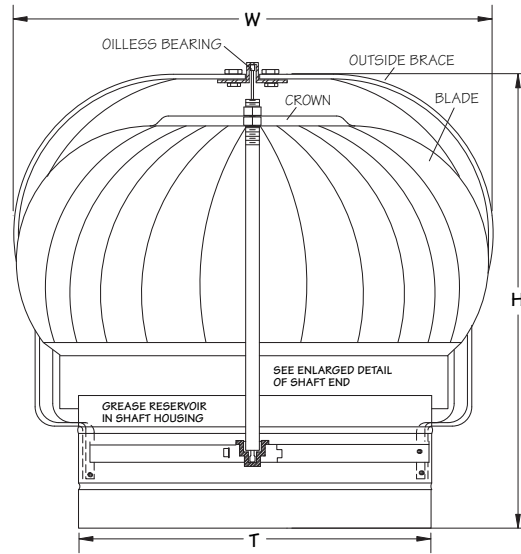
TYPE 3



TYPE 4



TECHNICAL SPECIFICATIONS



"T" DIMENSIONS	CROWN-GALV. GAUGE	BLADE-GALV. GAUGE	THROAT-GALV. GAUGE
10"	22	28	26
12"	22	28	26
14"	22	26	24
16"	20	26	24
18"	20	26	24
20"	20	26	24
24"	20	26	24

T	H	W	EXHAUST CAP 4MI WIND CFM	SHIPPING WEIGHT (lbs.)
10"	19"	17"	425	17
12"	20"	19"	531	21
14"	20 1/2"	22"	700	28
16"	23 1/4"	25"	950	35
18"	24 1/4"	27 1/2"	1200	36
20"	26"	30"	1700	47
24"	31 1/4"	35"	2350	77

* Note: Vents up to 16" have three outside braces. Vents 18" and up have four.