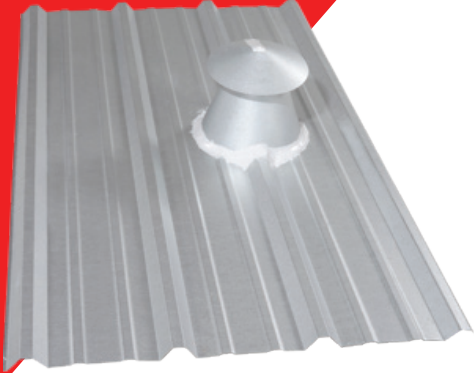




## ROOF JACKS

Roof jacks from Metallic Products are specifically designed to seal pipe penetration, making a seal around roof projections like plumbing vents and other piping easy.



### SPECIFICATIONS

#### BASE DESIGN

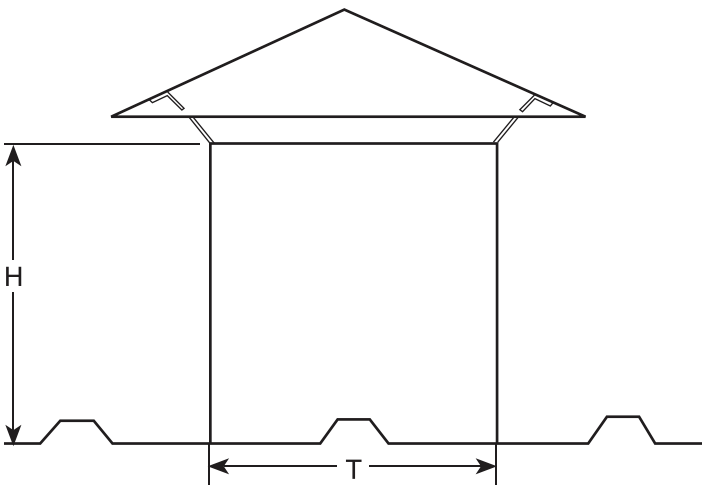
The base is specifically designed for the final installation with either a ridge or single slope. It is also constructed to sit flat or be mounted to the specified roof panel. Base and ventilating units are furnished preassembled ready for installation. Single slope bases are mounted directly into roof panel and are placed in such a way as to prevent damming.

#### DESIGN

- With or without cap
- Straight or tapered

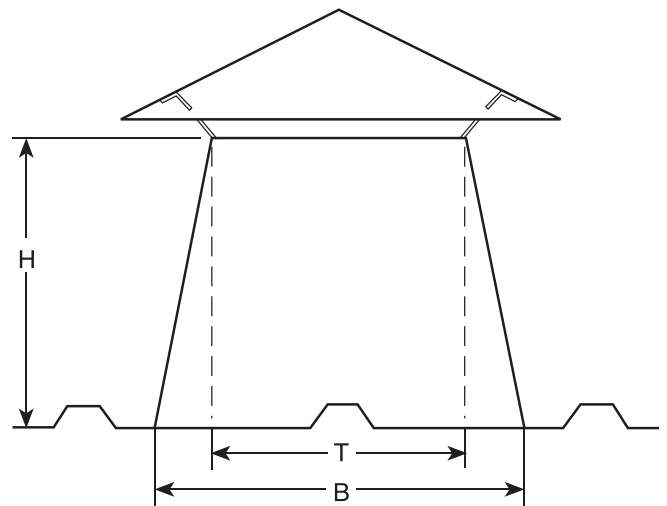
#### FINISH

Available in 26-gauge Galvalume, Polar White or standard colors options available.



#### TYPE S

Straight side roof jack, mounted in flat base or customer panel with or without cap.



#### TYPE T

Tapered roof jack, mounted in flat base or customer panel with or without cap.

