



COMMERCIAL AND INDUSTRIAL ROOF-MOUNT FANS

Metallic Products is a distributor of mechanical ventilation equipment for the pre-engineered metal building industry. Our extensive mechanical ventilation line allows manufacturers, dealers and contractors to design or meet almost every type of ventilation requirement.

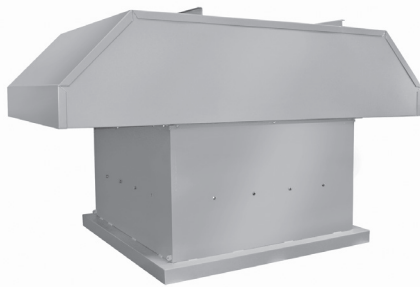
HOODED FANS SPECIFICATIONS

STANDARD FEATURES

- 24" to 84" diameters available
- Hoods constructed of heavy galvanized steel
- Mill finish for hoods; polyester powder coat paint for fan panel, support and motor brackets
- 60-cycle motors designed for continuous duty

OPTIONS

- 4 to 6 blade cast aluminum propeller
- Direct and belt drive available
- Large capacity motors (up to 15 hp)
- Shipped for hinged or fixed installation
- Hoods are available in aluminum
- Explosion proof
- Disconnect switches
- Louvers
- Adjustable drives
- Access doors
- Filters
- Bird screens
- Special coatings
- Special construction



NOTE

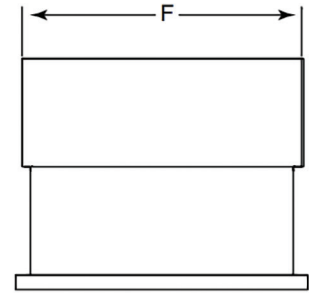
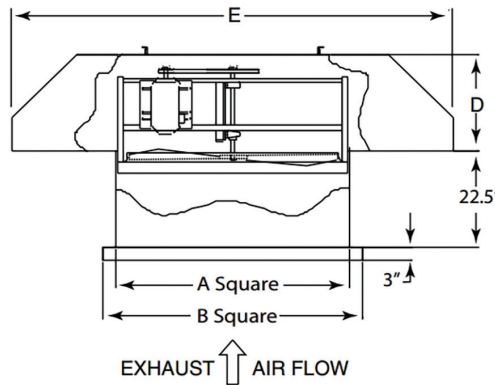
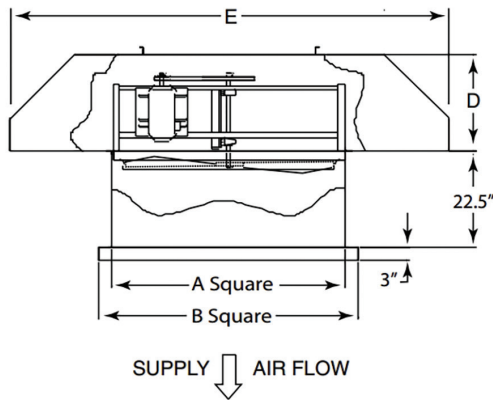
Metallic Products offers fans from other suppliers for custom orders.





TECHNICAL SPECIFICATIONS

BLADE DIAMETER	DIMENSIONS					APPROX. WT. (lbs.)
	A	B	D	E	F	
24	30	36	12	60	34	300
30	36	42	15	72	40	340
36	42	48	18	82	46	430
42	48	54	21	92	52	500
48	54	60	22-1/2	102	58	575
54	60	66	22-1/2	108	64	800
60	66	72	28-1/2	120	70	875



END VIEW

DIRECT DRIVE HHC | 4 BLADE CAST ALUMINUM PROPELLER

MODEL	HP	RPM	TIP SPEED	PEAK BHP	CFM							
					.00"SP	.10"SP	.125"SP	.25"SP	.375"SP	.50"SP	.75"SP	1.00"SP
HHC 24" DD BLADE												
HHC-24-DD	1/2	1150	7226	.48	5425	5028	4928	4430	3502	2575		
HHC-24-DD	3/4	1150	7226	.72	6309	5882	5772	5240	4207	3174	2012	
HHC-24-DD	1	1150	7226	.99	7027	6531	6407	5787	4689	3591	2370	
HHC-24-DD	1-1/2	1750	10996	1.47	7763	7497	7430	7095	6760	6424	5425	4275
HHC-24-DD	2	1750	10996	2.03	8727	8510	8420	8067	7737	7408	6328	5055
HHC 30" DD BLADE												
HHC-30-DD	1/2	860	6755	.50	7475	6714	6523	5368	3874	2245		
HHC-30-DD	3/4	860	6755	.74	9111	8321	8124	6636	5061	3150		
HHC-30-DD	1	1150	9032	1.01	9368	8810	8670	7972	7109	6247	3869	
HHC-30-DD	2	1150	9032	2.02	12658	12065	11915	11173	9941	8710	6349	3050
HHC-30-DD	3	1750	13744	3.08	13214	12858	12768	12323	11877	11432	10324	9118
HHC 36" DD BLADE												
HHC-36-DD	3/4	860	8105	.75	10912	9899	9646	8092	6082	3732		
HHC-36-DD	1	860	8105	1.03	12426	11363	11098	9559	7581	5018		
HHC-36-DD	2	1150	10838	2.03	15623	14850	14657	13691	12502	11314	8141	
HHC-36-DD	3	1150	10838	3.04	18765	17946	17742	16718	15542	14444	11266	6353
HHC-36-DD	5	1150	10838	4.86	21329	20502	20295	19261	18133	17005	14175	8251





TECHNICAL SPECIFICATIONS

DIRECT DRIVE HHC | 6 BLADE CAST ALUMINUM PROPELLER

MODEL	HP	RPM	TIP SPEED	PEAK BHP	CFM							
					.00"SP	.10"SP	.125"SP	.25"SP	.375"SP	.50"SP	.75"SP	1.00"SP
HHC 42" DD BLADE												
HHC-42-DD	2	860	9456	2.09	18034	17121	16897	15731	14462	12737		
HHC-42-DD	3	860	9456	3.01	21262	20210	19890	18213	16601	12325		
HHC-42-DD	5	1150	12645	5.06	24116	23442	23254	22611	21532	20670	18719	15790
HHC-42-DD	7-1/2	1150	12645	7.2	29874	29078	28873	27847	26907	25837	23665	20539
HHC-42-DD	10	1150	12645	10.2	33977	33065	32858	31805	30703	29501	27057	23951
HHC 48" DD BLADE												
HHC-48-DD	2	860	10807	1.97	23506	21849	21435	19179	16449	12868		
HHC-48-DD	3	860	10807	3.05	28214	26394	25959	23762	21332	18044		
HHC-48-DD	5	860	10807	5.1	32771	31343	31010	29317	27530	25696	21115	
HHC-48-DD	7-1/2	860	10807	7.1	37221	35834	35489	33634	31657	29634	25020	
HHC-48-DD	10	1150	14451	10.1	39787	38810	38520	37242	36166	34888	32435	
HHC-48-DD	15	1150	14451	15.4	47844	46746	46454	45177	43899	42431	39594	36648
HHC 54" DD BLADE												
HHC-54-DD	5	860	12158	4.99	36102	34504	34124	32361	30373	28226	23177	
HHC-54-DD	7-1/2	860	12158	7.50	42531	40965	40585	38673	36599	34376	29261	
HHC-54-DD	10	860	12158	10.4	49257	47705	47317	45239	43065	40799	35535	
HHC 60" DD BLADE												
HHC-60-DD	5	860	13509	4.9	37971	36254	35811	33662	31292	28925	23593	
HHC-60-DD	7-1/2	860	13509	7.5	46776	45144	44750	42758	40497	38022	32441	
HHC-60-DD	10	860	13509	10.0	53050	51372	50972	48817	46411	43844	37939	
HHC-60-DD	15	860	13509	14.5	62604	60801	60377	58369	55316	52556	46017	





TECHNICAL SPECIFICATIONS

BELT DRIVE HHC | 4 BLADE CAST ALUMINUM PROPELLER

MODEL	HP	RPM	TIP SPEED	PEAK BHP	CFM							
					.00"SP	.10"SP	.125"SP	.25"SP	.375"SP	.50"SP	.75"SP	1.00"SP
HHC 24" BD BLADE												
HHC-24-BD	1/2	1027	6452	.52	5754	5347	5217	4513	3231	2376		
HHC-24-BD	3/4	1207	7584	.74	6523	6155	6059	5518	4856	3756	2336	
HHC-24-BD	1	1294	8130	1.01	7324	6958	6866	6359	5794	5047	3185	2159
HHC-24-BD	1-1/2	1481	8909	1.49	8367	8010	7921	7446	6969	6439	5362	3303
HHC-24-BD	2	1661	10436	1.98	8977	8716	8639	8299	7906	7610	6522	4799
HHC-24-BD	3	1912	12018	3.02	10336	10101	10043	9852	9436	9091	8358	7481
HHC 30" BD BLADE												
HHC-30-BD	1/2	747	5866	.51	8164	7226	6981	5030	2867			
HHC-30-BD	3/4	878	6895	.75	9198	8436	8224	6933	5261	3461		
HHC-30-BD	1	929	7296	1.00	10152	9444	9238	8189	6396	4845		
HHC-30-BD	1-1/2	1064	8356	1.51	11627	11025	10861	9969	8731	7240	4234	
HHC-30-BD	2	1167	9165	1.98	12753	12188	12072	11257	10464	8961	6513	3399
HHC-30-BD	3	1340	10524	3.00	14644	14152	14028	13381	12673	11984	9478	7385
HHC-30-BD	5	1591	12495	5.02	17387	16972	16868	16382	15779	15179	13871	11658
HHC 36" BD BLADE												
HHC-36-BD	1	796	7502	1.01	13123	11954	11625	9857	7434	4102		
HHC-36-BD	1-1/2	912	8595	1.51	15035	14013	13743	12342	10554	8318		
HHC-36-BD	2	970	9142	2.01	16701	15759	15503	14225	12702	10902	5451	
HHC-36-BD	3	1101	10376	3.01	18956	18134	17896	16796	15619	14204	10442	5799
HHC-36-BD	5	1306	12308	5.0	22486	21792	21618	20695	19747	18775	16352	13425
HHC-36-BD	7-1/2	1496	14099	7.5	25756	25151	24999	24223	23395	22567	20772	18582





TECHNICAL SPECIFICATIONS

BELT DRIVE HHC | 6 BLADE CAST ALUMINUM PROPELLER

MODEL	HP	RPM	TIP SPEED	PEAK BHP	CFM							
					.00"SP	.10"SP	.125"SP	.25"SP	.375"SP	.50"SP	.75"SP	1.00"SP
HHC 42" BD BLADE												
HHC-42-BD	1-1/2	626	6879	1.51	17774	16251	15845	13569	10669			
HHC-42-BD	2	710	7802	2.01	19427	18067	17749	15956	13832	11129		
HHC-42-BD	3	813	8934	3.02	22251	21059	20756	19273	17661	15709		
HHC-42-BD	5	964	10594	4.94	26381	25384	25129	23918	22597	21238	17897	13671
HHC-42-BD	7-1/2	1103	12121	7.47	30187	29321	29099	27997	26749	25769	23273	20232
HHC-42-BD	10	1216	13324	10.04	33280	32496	32296	31284	30339	29328	27183	24734
HHC 48" BD BLADE												
HHC-48-BD	1-1/2	575	7347	1.53	21687	19662	19109	16418	12563			
HHC-48-BD	2	627	7875	1.98	23648	21785	21316	18864	16007	11108		
HHC-48-BD	3	706	8867	2.87	26628	24927	24556	22415	20191	17314		
HHC-48-BD	5	849	10663	4.98	32351	30906	30550	28846	27042	24918	20174	
HHC-48-BD	7-1/2	967	12145	7.35	36848	35572	35260	33810	32196	30289	26942	22407
HHC-48-BD	10	1061	13326	9.6	40429	39282	38976	37607	36236	34772	31511	28184
HHC 54" BD BLADE												
HHC-54-BD	2	555	7786	1.98	27447	25062	24425	20960	16767			
HHC-54-BD	3	634	8958	2.94	31354	29274	28751	25621	22378	17455		
HHC-54-BD	5	753	10639	4.88	37238	35464	35038	32760	29971	27235	20698	
HHC-54-BD	7-1/2	862	12186	7.30	42629	40969	40689	38782	36713	34497	29112	21834
HHC-54-BD	10	948	13402	9.68	46901	45454	45109	43417	41565	39673	35413	30011
HHC 60" BD BLADE												
HHC-60-BD	2	504	7916	2.01	31089	28166	27327	22571	18057			
HHC-60-BD	3	577	9063	2.99	35593	32930	32180	28100	20200			
HHC-60-BD	5	684	10743	4.98	42194	40103	39566	36597	32905	29039	21779	
HHC-60-BD	7-1/2	783	12298	7.42	48299	46472	46023	43569	40828	37829	28374	
HHC-60-BD	10	860	13508	9.79	53049	51372	50971	48816	45937	43395	37552	29290
HHC-60-BD	15	986	15487	14.7	60822	59336	58987	57181	55234	52548	48033	42296

