



COMMERCIAL AND INDUSTRIAL ROOF-MOUNT FANS

Metallic Products is a distributor of mechanical ventilation equipment for the pre-engineered metal building industry. Our extensive mechanical ventilation line allows manufacturers, dealers and contractors to design or meet almost every type of ventilation requirement.

JET UPBLAST FANS – BELT DRIVE SPECIFICATIONS

STANDARD FEATURES

- 24" to 84" diameters available
- Belt driven
- Curb base made from heavy gauge galvanized sheet steel
- Wind band to protect from weather and cross wind
- Rain channel
- External and internal bracing
- Damper lid positive
- Damper bearings
- Positive bumper stops
- Neoprene bumper
- Lifting lugs

OPTIONS

- Motor in or out of airstream
- 4 to 6 blade cast aluminum propeller
- Large capacity motors (up to 25 hp and 1926 RPM)

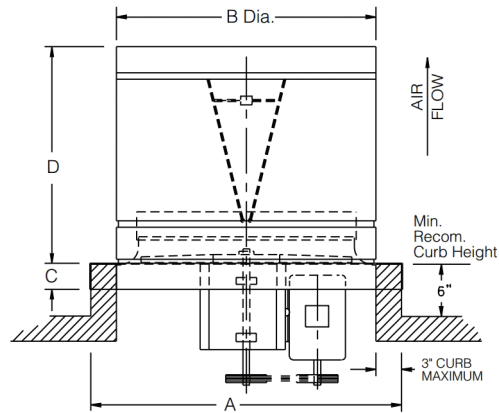


NOTE

Metallic Products offers fans from other suppliers for custom orders.



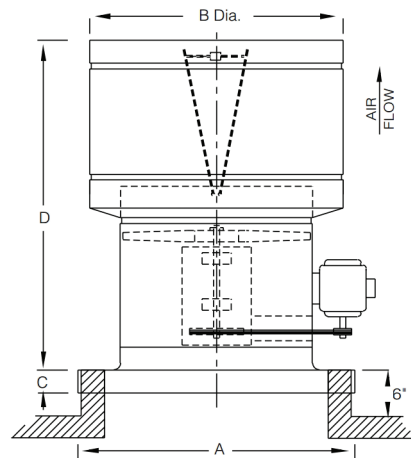
TECHNICAL SPECIFICATIONS



JBI (BELT DRIVE)

Motor in Airstream

MODEL	DIMENSIONS			
	A	B	C	D
JBI-24	36	33	3	25
JBI-30	42	39	3	28
JBI-36	48	45	3	31
JBI-42	54	51	3	34
JBI-48	60	57	3	37
JBI-54	66	63	3	40
JBI-60	72	69	3	43
JBI-72	84	80	3	49
JBI-84	96	92	3	49



JBX (BELT DRIVE)

Motor out of Airstream

MODEL	DIMENSIONS			
	A	B	C	D
JBX-24	36	33	3	46
JBX-30	42	39	3	59
JBX-36	48	45	3	59
JBX-42	54	51	3	62
JBX-48	60	57	3	65
JBX-54	66	63	3	68
JBX-60	72	69	3	77
JBX-72	84	80	3	86
JBX-84	96	92	3	92



TECHNICAL SPECIFICATIONS

BELT DRIVE FANS | 4 BLADE CAST ALUMINUM PROPELLER

MODEL	HP	RPM	TIP SPEED	PEAK BHP	CFM							
					.00"SP	.10"SP	.125"SP	.25"SP	.375"SP	.50"SP	.75"SP	1.00"SP
JBI 24" BLADE												
JBI-24-BD	1/4	924	5802	.27	4696	4160	4013	2879	1779	1083		
JBI-24-BD	1/3	1021	6411	.34	5159	4624	4470	3528	2213	1472		
JBI-24-BD	1/2	1063	6676	.52	6031	5548	5408	4678	3345	2459	1226	
JBI-24-BD	3/4	1193	7492	.74	6674	6386	6280	5720	5029	3889	2416	1422
JBI-24-BD	1	1335	8384	1.01	7607	7219	7118	6591	6006	5226	3295	2231
JBI-24-BD	1-1/2	1529	9602	1.49	8690	8283	8219	7726	7224	6675	3415	1464
JBI-24-BD	2	1693	10632	1.89	9324	9064	8964	8603	8195	7885	6754	4932
JBI-24-BD	3	1926	12095	2.84	10735	10482	10421	10120	9782	9424	8870	7732
JBI 30" BLADE												
JBI-30-BD	1/2	884	6939	.52	8471	7505	7244	5219	2968	1385		
JBI-30-BD	3/4	891	6994	.77	9554	8754	8533	7187	5453	3580	1028	
JBI-30-BD	1	980	7693	1.00	10535	9799	9595	8482	6623	5017	1869	
JBI-30-BD	1-1/2	1118	8776	1.49	12077	11452	11270	10436	9042	7490	4376	2061
JBI-30-BD	2	1250	9812	1.96	13247	12659	12527	11683	10847	9280	6738	3514
JBI-30-BD	3	1462	11476	2.95	15196	14685	14542	13872	13137	12399	9806	7625
JBI-30-BD	5	1773	13297	4.92	18042	17612	17487	16983	16342	15721	14338	12049
JBI 36" BLADE												
JBI-36-BD	1	821	7742	1.02	13617	12386	12052	10218	7693	4239		
JBI-36-BD	1-1/2	939	8854	1.51	15586	14542	14261	12794	10941	8514	3475	
JBI-36-BD	2	1035	9760	2.02	17330	16353	16072	14747	13168	11290	5645	2482
JBI-36-BD	3	1177	11099	2.97	19671	18800	18560	17635	16173	14710	10793	5983
JBI-36-BD	5	1396	13164	4.94	23356	22614	22434	21454	20451	19426	16901	13814
JBI-36-BD	7-1/2	1607	15154	7.42	27596	26023	25892	25063	24182	23349	21470	19131



TECHNICAL SPECIFICATIONS

BELT DRIVE FANS | 6 BLADE CAST ALUMINUM PROPELLER

MODEL	HP	RPM	TIP SPEED	PEAK BHP	CFM							
					.00"SP	.10"SP	.125"SP	.25"SP	.375"SP	.50"SP	.75"SP	1.00"SP
JBI 42" BLADE												
JBI-42-BD	1-1/2	617	6787	1.49	17466	16092	15751	13761	11155	5842		
JBI-42-BD	2	678	7458	2.00	19192	17979	17642	15956	13841	10631		
JBI-42-BD	3	776	8536	3.00	21941	20889	20624	19191	17581	15686	8112	
JBI-42-BD	5	928	10208	4.99	26221	25409	25180	23912	22157	21416	18256	
JBI-42-BD	7-1/2	1073	11803	7.47	30336	29621	29432	28391	27464	26342	23901	
JBI-42-BD	10	1193	13112	10.02	33712	33182	32910	31994	31089	30300	28202	
JBI 48" BLADE												
JBI-48-BD	1-1/2	560	7039	1.5	22880	20396	19925	17211	13162	5069		
JBI-48-BD	2	616	7743	1.99	25121	22820	22341	20116	17125	11701		
JBI-48-BD	3	706	8874	3.01	28810	26654	26328	24406	22134	19320	8359	
JBI-48-BD	5	836	10508	5.00	34116	32141	31710	30149	28610	26611	21691	
JBI-48-BD	7-1/2	962	12092	7.56	39231	37313	37108	35596	34192	32832	29341	
JBI-48-BD	10	1062	13349	10.11	43332	41692	41331	39830	38489	37282	34543	
JBI 54" BLADE												
JBI-54-BD	2	560	7918	2.01	29549	27116	26231	22452	18516	9149		
JBI-54-BD	3	641	9063	3.00	33821	31829	31219	27621	24366	20776	4416	
JBI-54-BD	5	761	10760	5.02	40147	38541	38127	35109	32218	29484	23046	
JBI-54-BD	7-1/2	872	12330	7.48	45992	44736	44292	41898	39298	36790	32026	
JBI-54-BD	10	962	13602	10.10	50732	49706	49311	47386	44814	42424	38072	
JBI 60" BLADE												
JBI-60-BD	2	500	7855	2.00	33261	29196	27684	22390	14898	4682		
JBI-60-BD	3	572	8986	3.00	38134	35106	33610	28232	24249	15987		
JBI-60-BD	5	679	10667	5.02	45127	42998	42176	36763	32816	29546	16454	
JBI-60-BD	7-1/2	777	12202	7.48	51633	50147	49372	44879	40689	37311	31222	
JBI-60-BD	10	855	13432	10.09	56828	55528	54951	51351	47996	43526	37940	
JBI 72" BLADE												
JBI-72-BD	3	363	6842	3.12	47600	42600	41300	34400				
JBI-72-BD	5	413	8048	5.08	54200	49800	48700	42900	36000			
JBI-72-BD	7-1/2	488	9198	7.49	64000	60200	59300	54600	49600	43900		
JBI-72-BD	10	536	10103	10.06	70300	66800	65900	61700	57400	52700		
JBI-72-BD	15	618	11649	15.16	81100	78000	77300	73800	69900	66200	57600	
JBI-72-BD	20	690	13006	20.98	90500	87800	87100	83900	80600	77200	70300	
JBI 84" BLADE												
JBI-84-BD	5	370	8140	5.01	68200	62500	61000	52600				
JBI-84-BD	7-1/2	424	9328	7.51	78100	73200	72000	65100	57200	49700		
JBI-84-BD	10	466	10252	9.97	85900	81400	80300	74200	67500	59600		
JBI-84-BD	15	534	11748	15.04	98400	94500	93600	88500	83000	77000		
JBI-84-BD	20	588	12936	20.10	108400	104800	103900	99500	94600	89400	77800	
JBI-84-BD	25	635	13970	25.18	117000	113700	112900	108800	104400	99900	89700	

