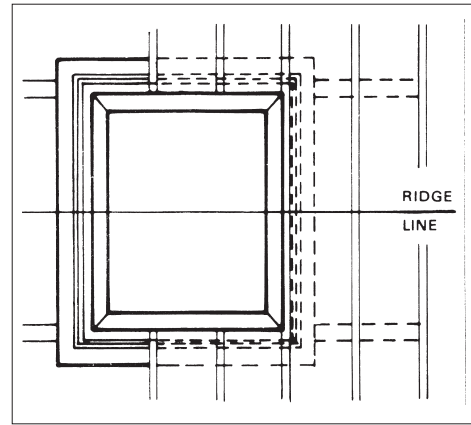
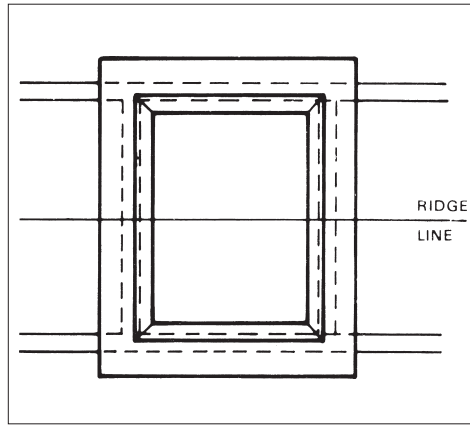


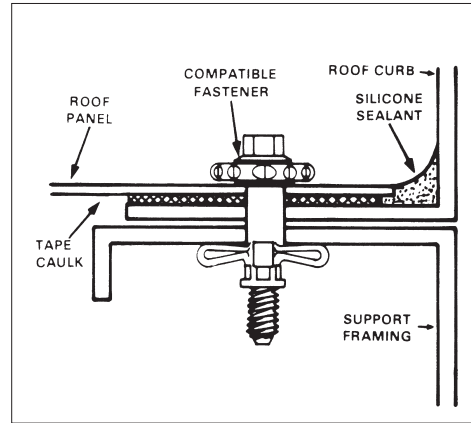
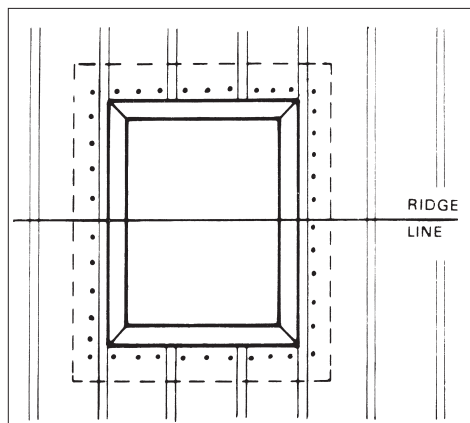
INSTALLATION INSTRUCTIONS

➤ MP-RC3 RIDGE MOUNT ROOF CURBS (To be installed beneath roof deck)



- A**
1. After building framing is complete, locate roof opening and install support framing for roof curb and equipment loads.
 2. Set and secure roof curb in place on support framing. At least two parallel curb walls must be on support framing. Loads shall not be supported by a cantilever section exceeding 1' in length.

- B**
3. Cut roof panels to fit snugly around curb walls.
 4. Apply a wide band of tape caulk to top side of curb flanges.
 5. Install and seal closure strips as required. Press roof panels into position.



- C**
6. Fasten roof panel through curb flanges to support steel using suitable fasteners compatible with roof system. A minimum of four fasteners per side spaced on 3" centers or less as roof system permits. Fasteners should withstand a minimum pullout force of 150# each.

- D**
7. Inspect installation and fasteners. Apply silicone sealant to seal seams around all sides of curb to assure a watertight seal.
 8. Apply a closed cell neoprene strip to top rail of roof curb before setting a rooftop unit. Equipment should be fastened directly to curb wall using compatible fasteners.