



GALVANIZED STEEL FIXED LOUVER

STANDARD FEATURES

- 18-gauge galvanized frame, 4 1/2" nominal depth
- 20-gauge galvanized steel blade, 45° angle
- Expanded 18-16 aluminum insect screen in removable/rewireable frame
- Mill finish
- Architecturally styled, all galvanized steel construction

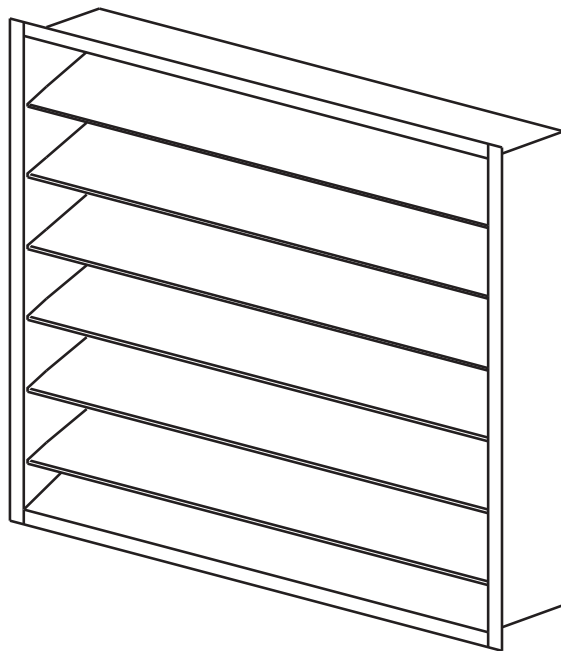
OPTIONS

Changes to the base design of this louver are available at an additional cost, including:

- Extended sill
- A variety of bird or insect screens
- Powdercoated finish
- Mullions if needed (not for A Panel or R Panel types)

NOTE

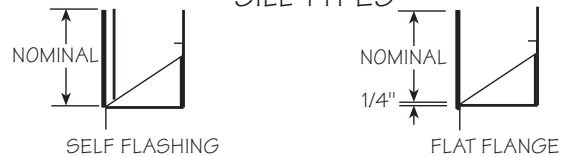
Minimum size is 12"x12"



HEADER TYPES



SILL TYPES



JAMB TYPES

