



CONTINUOUS RIDGE VENTILATORS

A properly engineered ventilation system using continuous ridge ventilators controls the movement of fresh air through the building removing hot, stale air and air contaminated by manufacturing or production processes. Summer heat is released naturally through gravity ridge ventilators. During winter proper ventilation can assist in the control of condensation and other moisture problems, such as rust and deterioration of insulation or the damage to stored products.

Vents may be furnished with or without dampers to control the flow of air. Pull chains are the standard operators for dampers. Multiple damper operations are available for two or more units.

Standard ridge ventilators are shipped with a 1:12 end cap and can be field modified to accommodate up to a 6:12 roof pitch. Ventilators can be custom ordered to accommodate roof pitches greater than 6:12.



9" and 12" Throat
Continuous Ridge Ventilators

SPECIFICATIONS

STANDARD SIZE

9" throat and 12" throat available in 10' sections. Low profile design can be used for single unit or continuous run installation with no disassembly.

Additional sizes: 4", 15", 18", 24", 30", 36", 42" and 48"

For custom lengths or throat sizes, please contact your sales representative.



TDI APPROVED

INTEGRAL DAMPERS

Easy-moving damper opens to any degree from fully open to completely closed. Lockerpull operator is standard and comes with 10' sash chain and chain keeper. Check out our ridge vent operator selections for hand pull, lever, boatwinch and operation extension options.

ALSO AVAILABLE



Metallic Products' 9" and 12" throat continuous ridge ventilators are also available in Florida Approved specifications.

DESIGN

Aerodynamically proportioned to exclude weather. Protects air passages and full outlet area.

BIRD SCREEN

Fully protected by 4 x 4 bird screen mesh galvanized hardware cloth.

CONSTRUCTION

Durable 26-gauge exterior combined with internal components of 24-, 20- and 18-gauge die formed sheet metal and machined parts for long service life.

FINISH

Galvalume or Polar White finish is standard, and other colors are available including Kynar®.

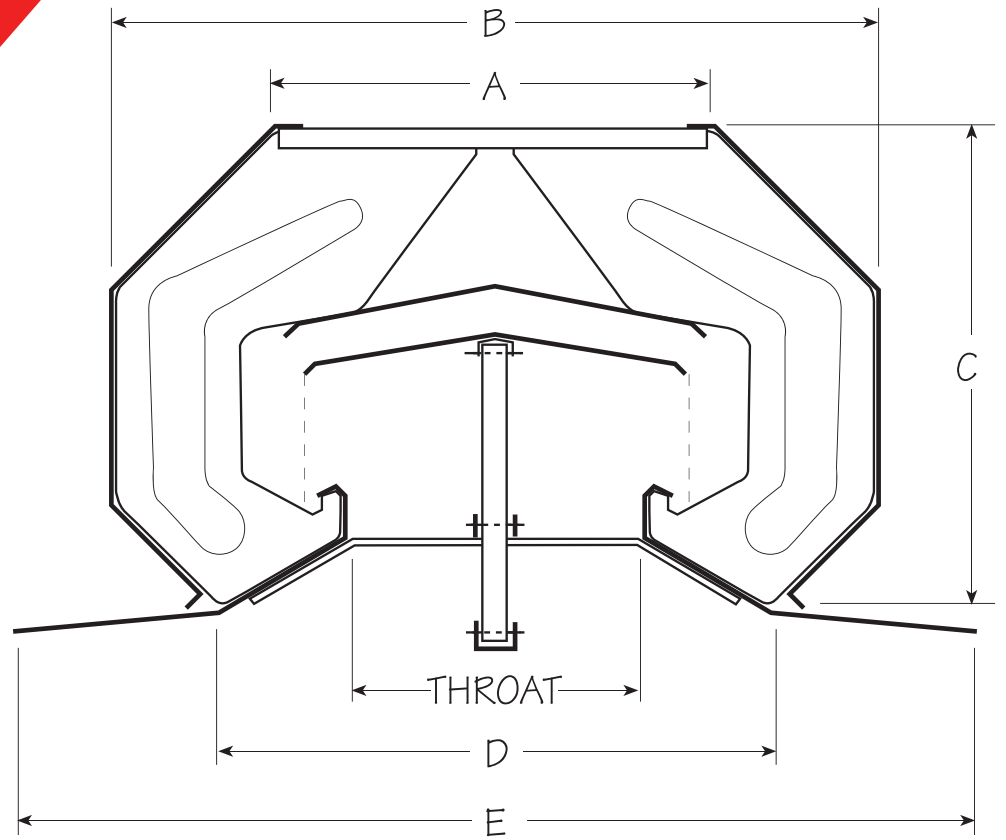
DRAINAGE AREA

Continuous slot drainage placed at the bottom of both sides of windbands.

NOTE

Please specify flat or die form skirts, roof pitch, damper operator and color when ordering.





DIMENSIONS

THROAT*	A	B	C	D	E
4"	6-1/4"	12-1/2"	9"	10"	18"
9"	13"	21-1/4"	14-1/2"	18"	28-1/4"
12"	17"	28-1/2"	18"	22"	33"

*Other throat sizes available upon request.

SHIPPING WEIGHT

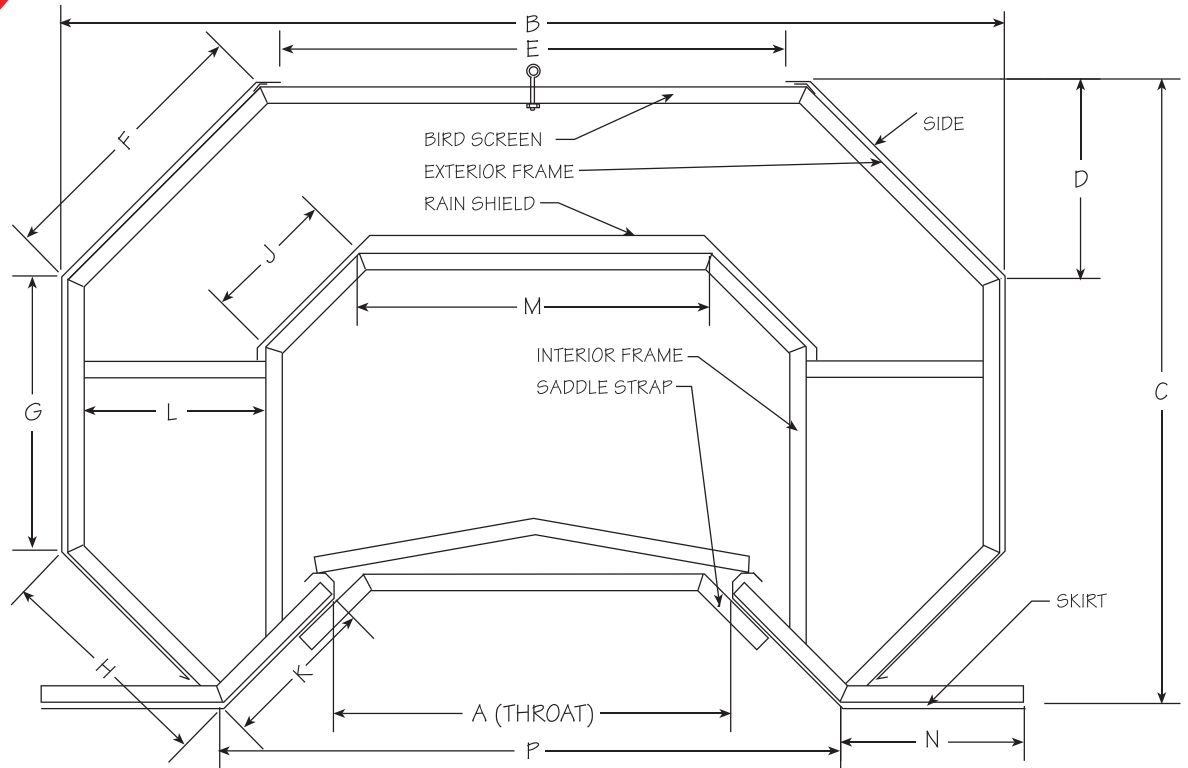
THROAT	STANDARD CRATED	PACKAGE SIZE (L x H x W)
4"	190 lbs.**	125" x 14" x 20"
9"	230 lbs.**	125" x 19-3/4" x 30-1/2"
12"	250 lbs.**	125" x 22-1/2" x 34-3/4"

**Approximate weight.



15" TO 48" THROAT WELDED FRAME RIDGE VENTILATORS

NOTE: Exterior and interior frame made of 1/8" x 1-1/2" x 1-1/2" angle hot-dipped galvanized after welding. All other parts made of 22-gauge sheet metal, standard white or galvalume.



A	A/2	B	C	D	E	F	G	H	J	K	L	M	N	P	WT. (lbs.)
15	7-1/2	39	26-1/2	8	22-3/4	11-3/8	11-3/8	9-7/8	5	6-1/2	7-1/2	16-7/8	8	25	275
18	9	45-5/8	30-5/8	10-5/8	26-3/4	13-3/8	13-3/8	11	5-7/8	8-1/4	9	18-5/8	9-1/2	30	300
24	12	57	38-3/8	11-7/8	33-1/2	16-3/4	16-3/4	13-5/8	8-1/8	9-1/4	12	21-1/2	11	36-1/8	400
30	15	70-1/8	45-9/16	14-3/8	41	20-1/2	20-1/2	14	9-1/2	11-5/8	16	26-5/8	11-3/8	49-1/4	450
36	18	81-1/4	53-5/8	16-7/8	47-1/2	23-3/4	23-3/4	19-1/2	12-3/8	12-1/2	18	26-1/2	14-1/4	55	500
42	21	94	61	18-7/8	56	26-13/16	26-5/16	22-1/2	14-1/2	13-9/16	21	31-1/4	16-5/8	62	575
48	24	106	65-7/8	19-1/4	67-1/4	27-1/4	27-1/4	26-7/8	16-7/8	13-5/16	24	34-1/8	20-1/8	67-1/8	650

Purlin Spacing = "P" Plus 3" Each Side



7777 Hollister Street | Houston, Texas 77040 | p 713.856.9696 | tf 800.356.7746 | f 713.856.9686 | mpvent.com





TABLE OF CAPACITIES FOR CONTINUOUS VENTILATORS

CAPACITY:

To determine capacity per unit, multiply "Base Rating" by "Temperature-Height Factor": $CFM = \text{Base} \times \text{Temperature-Height Factor}$

Based on fresh air intake area 1-1/2 times ventilator throat area. Assumes 5 mph wind speed.

BASE RATINGS	
THROAT SIZE	C.F.M.
4"	1200
9"	2700
12"	3600
15"	4500
18"	5400
24"	7200
30"	9000
36"	10800
42"	12600
48"	14400

TEMPERATURE-HEIGHT FACTORS									
HEIGHT	TEMPERATURE DIFFERENCE								
	5°	10°	15°	20°	25°	30°	35°	40°	45°
10'	.37	.49	.58	.64	.70	.76	.81	.86	.95
15'	.42	.60	.71	.80	.86	.92	.99	1.05	1.09
20'	.53	.70	.81	.92	.99	1.07	1.14	1.22	1.26
25'	.58	.77	.89	1.00	1.08	1.18	1.25	1.33	1.36
30'	.63	.83	.97	1.08	1.17	1.28	1.36	1.45	1.50
35'	.66	.87	1.02	1.14	1.24	1.35	1.44	1.51	1.58
40'	.70	.93	1.08	1.22	1.30	1.41	1.50	1.61	1.68
45'	.74	.96	1.12	1.28	1.38	1.48	1.59	1.68	1.75
50'	.77	1.01	1.18	1.33	1.44	1.56	1.67	1.75	1.83
55'	.80	1.06	1.23	1.39	1.50	1.64	1.72	1.83	1.92
60'	.83	1.09	1.28	1.44	1.55	1.69	1.79	1.90	2.00
65'	.85	1.12	1.32	1.48	1.61	1.74	1.85	1.97	2.06
70'	.88	1.17	1.36	1.53	1.67	1.79	1.89	2.02	2.11
75'	.90	1.19	1.39	1.57	1.69	1.83	1.96	2.06	2.17
80'	.93	1.22	1.42	1.61	1.72	1.86	2.00	2.11	2.20

Height = Vertical rise from inlets near floor to ventilator

Temperature = Estimated temperature difference between middle of air intake near the floor and ventilator with dampers open





CONTINUOUS RIDGE VENTILATOR OPERATORS

OPERATOR A – HAND PULL

- 40' Cable
- (2) Cable Clamps
- (1) Chain Catch
- (2) Pulleys with Eyebolts

OPERATOR C – LEVER

(6"-9" vents and 4"-12" vents)

- 40' Cable
- (2) Pulleys with Eyebolts
- (2) Cable Clamps
- (1) Eyebolt (not welded) with Nuts
- (1) Lever Handle with Mounting Hardware
- (1) Installation Instructions

OPERATOR D – BOATWINCH

(8"-9" vents, 6"-12" vents, 4"-24" vents and 3"-36" vents)

- 60' Cable
- (2) Pulleys with Eyebolts
- (1) Boatwinch
- (1) Cable Catch
- (2) Eyebolts (not welded) with Nuts
- (2) Cable Clamps
- (1) Mounting Hardware
- (1) Installation Instructions

OPERATION EXTENSION

- 50' Cable
- (2) Cable Clamps
- (2) Eyebolts (not welded) with Nuts

DUFF NORTON OPERATOR

Duff Norton Motor (10-9" vents, 7-12" vents)

