



ROOF ACCESS HATCHES

Ensure safe roof access with the Metallic Products roof access hatch. Designed with a built-in curb, the roof access hatch is built to match any roof slope and panel configuration.

SPECIFICATIONS

STANDARD SIZES

LADDER ACCESS	2'6" x 3'0"
SHIP STAIR ACCESS	2'6" x 4'6"
SERVICE STAIR ACCESS	2'6" x 8'0"

DESIGN

The roof access hatch can be manufactured to open in any specified direction, featuring a gas-charged opening device and automatic hold-open latch.

SECURITY

Roof access hatch can be locked from the inside and outside.

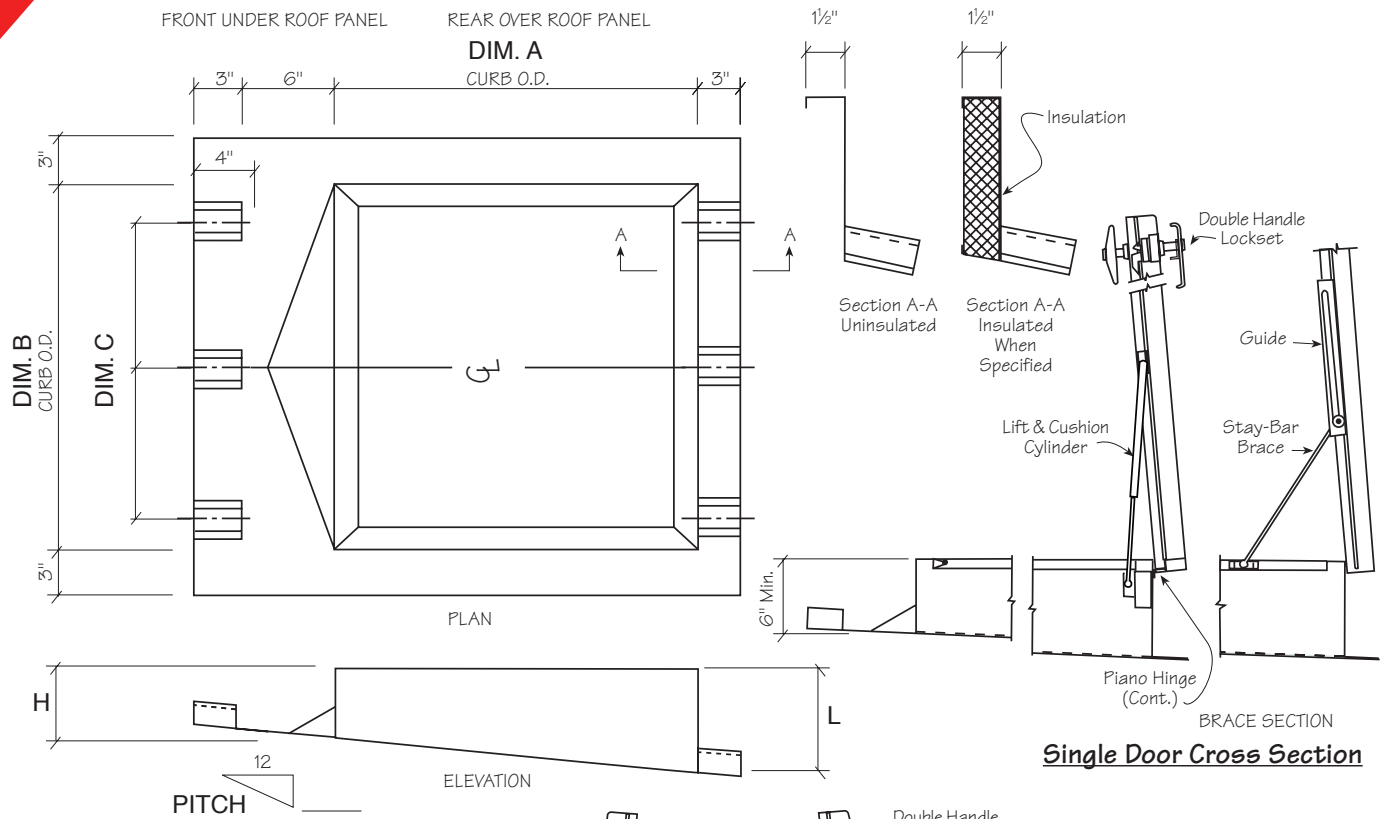
CONSTRUCTION

Rugged, 16-gauge Galvalume steel construction. Corners are mitered and welded water tight using a siliconized bronze wire for a long lasting and non-corrosive finish. Welds are finished with a protective zinc primer. FSK faced rigid board insulation is optional.

FINISH

Long-lasting, heat-fused electrostatic powder factory applied to match most architectural colors.

TECHNICAL SPECIFICATIONS



DOUBLE DOOR MAY BE NEEDED
DEPENDING ON SIZE

