

Customer: _____

 Ship To: _____

 Order No.: _____
 Job No.: _____
 Order Date: _____
 Due Date: _____

Metallic Products
SLOPE MOUNT ROOF CURB
Flat Mounting Flange
MP - RH DD2 - AL

STANDARD FEATURES

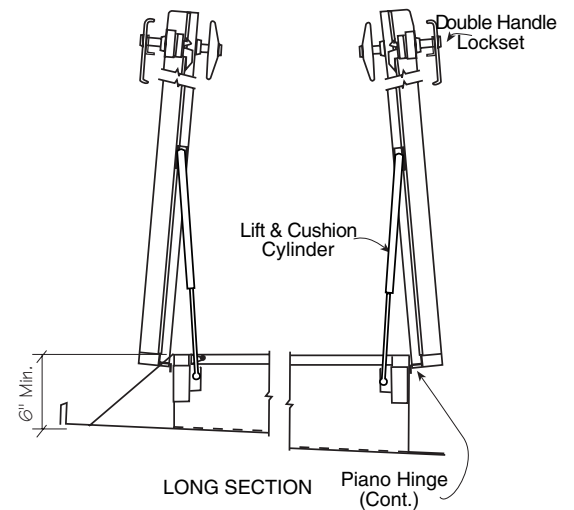
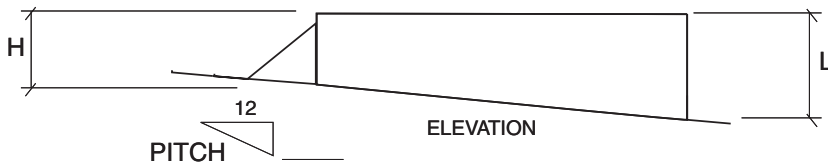
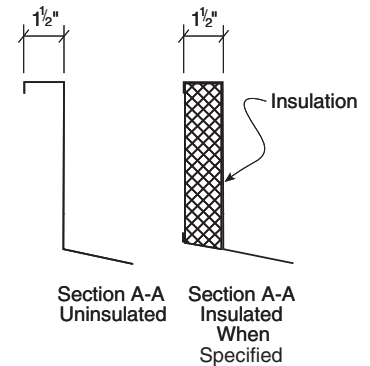
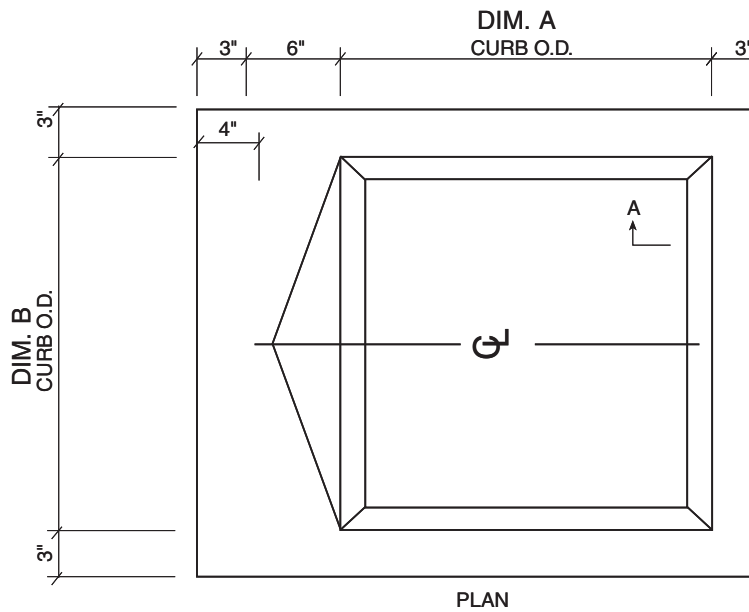
1. .080 Aluminum shell and base plate
2. Corners mitered and welded watertight
3. Positive hold-open device
4. Water diverter or cricket
5. 6" minimum height on ridge side
6. 1½" – 3# density insulation when specified
7. Gas-charged opening device specified

ADDED OPTIONS

- 1.
- 2.
- 3.

MATCH ROOF PANEL _____
 (LOOSE RIBS)

FRONT UNDER PANEL AND REAR OVER PANEL



NO. REQ'D	DIM. A	DIM B	H	L	HINGE LOCATION*	TAG DESCRIPTION

* Hinge may be located on any side. Please indicate RIDGE, EAVE, LEFT or RIGHT.

