

Customer: \_\_\_\_\_

\_\_\_\_\_

\_\_\_\_\_

Ship To: \_\_\_\_\_

\_\_\_\_\_

\_\_\_\_\_

Order No.: \_\_\_\_\_

Job No.: \_\_\_\_\_

Order Date: \_\_\_\_\_

Due Date: \_\_\_\_\_

## Metallic Products

### SLOPE MOUNT ROOF ACCESS HATCH

#### Shingle Type, Factory Installed Ribs

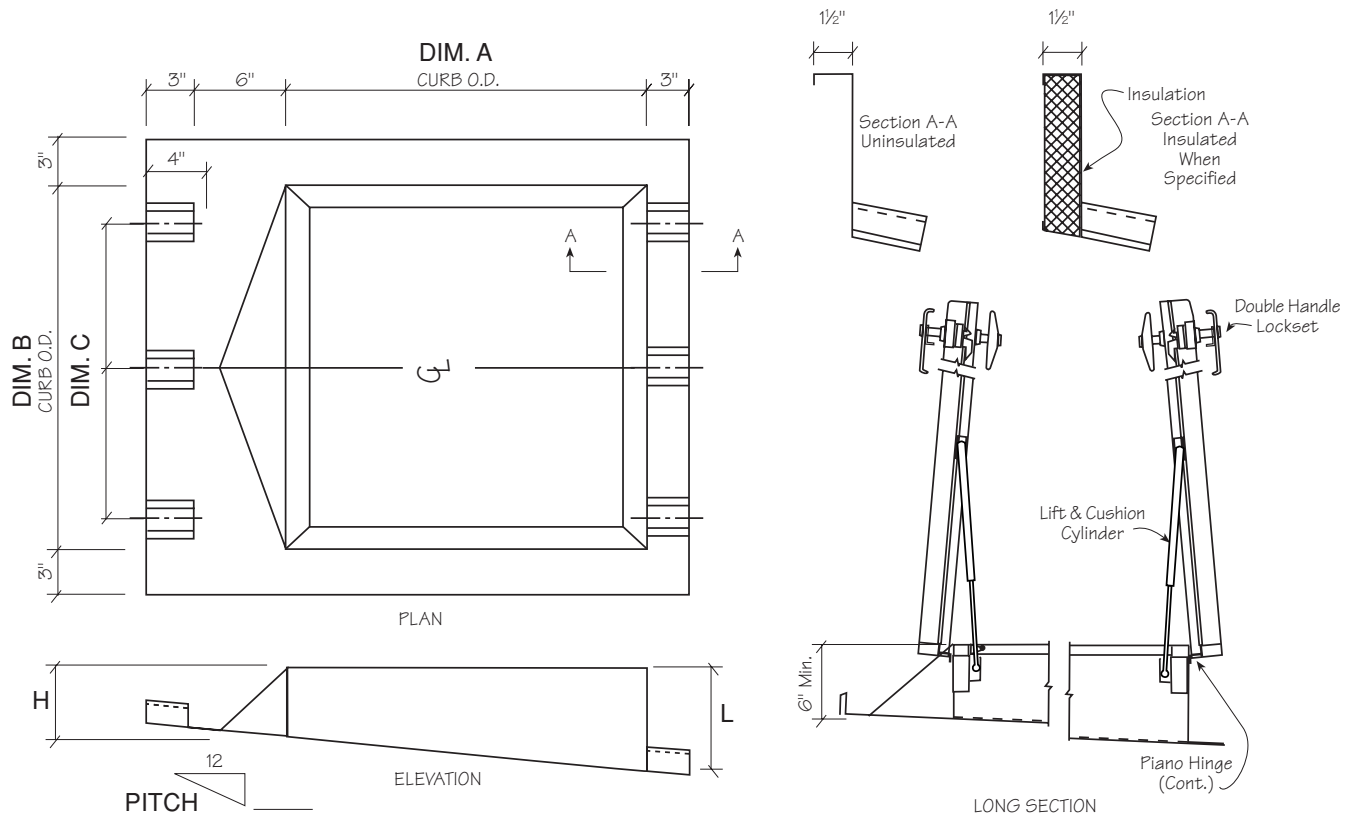
#### MP-RH DD

#### STANDARD FEATURES

1. 16 gauge galvalume steel shell and baseplate
2. Corners mitered and welded watertight
3. Curbs prime painted after fabrication
4. Additional reinforcing when specified
5. Water diverter or cricket
6. 6" minimum height on ridge side
7. 1½" – 3# density insulation when specified

#### ADDED OPTIONS

- 1.
  - 2.
  - 3.
- MATCH ROOF PANEL \_\_\_\_\_



NO. REQ'D	DIM. A	DIM B	DIM C.	H	L	HINGE LOCATION*	TAG DESCRIPTION

\* Hinge may be located on any side. Please indicate RIDGE, EAVE, LEFT or RIGHT.

