

Customer: _____

Ship To: _____

Order No.: _____

Job No.: _____

Order Date: _____

Due Date: _____

Metallic Products

SLOPE MOUNT ROOF ACCESS HATCH

Shingle Type, Factory Installed Ribs

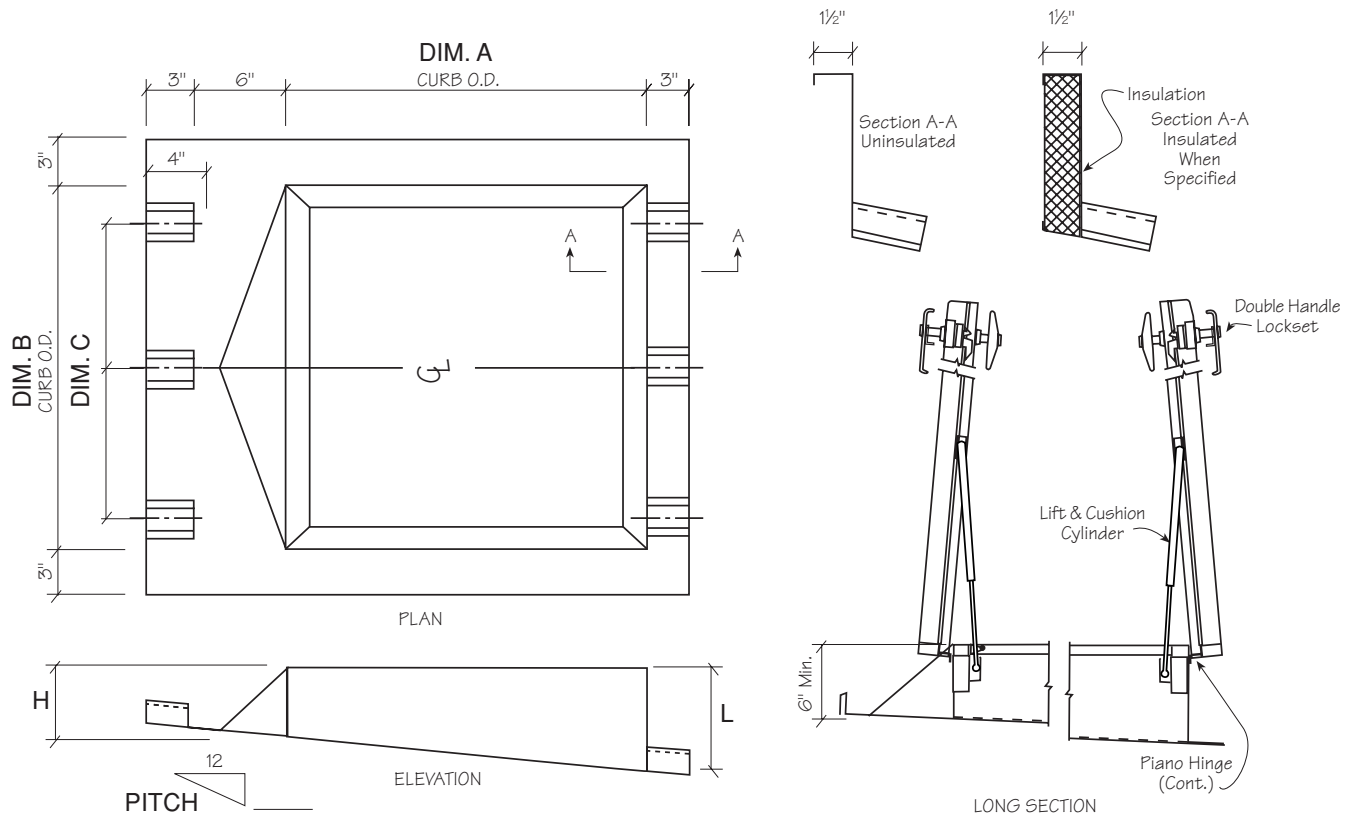
MP-RH DD

STANDARD FEATURES

1. .080 Aluminum shell and base plate
2. Corners mitered and welded watertight
3. Additional reinforcing when specified
4. Water diverter or cricket
5. 6" minimum height on ridge side
6. 1 1/2" - 3# density insulation when specified
7. Gas-charged opening device specified

ADDED OPTIONS

- 1.
 - 2.
 - 3.
- MATCH ROOF PANEL _____



NO. REQ'D	DIM. A	DIM B	DIM C.	H	L	HINGE LOCATION*	TAG DESCRIPTION

* Hinge may be located on any side. Please indicate RIDGE, EAVE, LEFT or RIGHT.

