

Customer: _____

 Ship To: _____

 Order No.: _____
 Job No.: _____
 Order Date: _____
 Due Date: _____

Metallic Products
SLOPE MOUNT ROOF CURB
Flat Mounting Flange
MP-RH2

STANDARD FEATURES

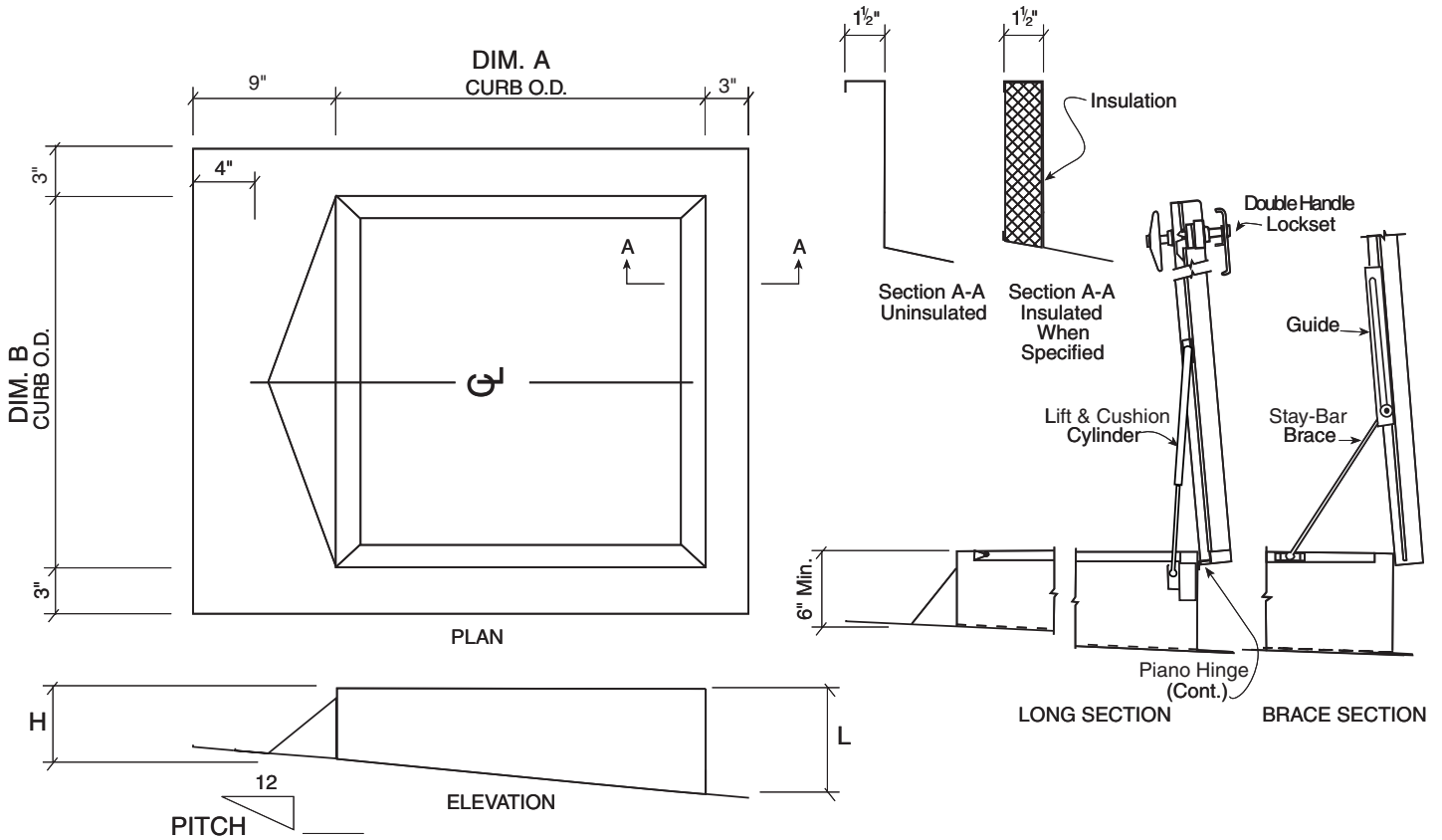
1. 16 gauge galvalume steel shell and baseplate
2. Corners mitered and welded watertight
3. Curbs prime painted after fabrication
4. Positive hold-open device
5. Water diverting cricket
6. 6" minimum height on ridge side
7. 1 1/2" - 3# density insulation when specified
8. Gas-charged opening device specified

ADDED OPTIONS

- 1.
- 2.
- 3.

MATCH ROOF PANEL _____
 (LOOSE RIBS)

FRONT FLANGE UNDER PANEL AND REAR FLANGES OVER PANEL



NO. REQ'D	DIM. A	DIM B	H	L	HINGE LOCATION*	TAG DESCRIPTION

* Hinge may be located on any side. Please indicate RIDGE, EAVE, LEFT or RIGHT.

