

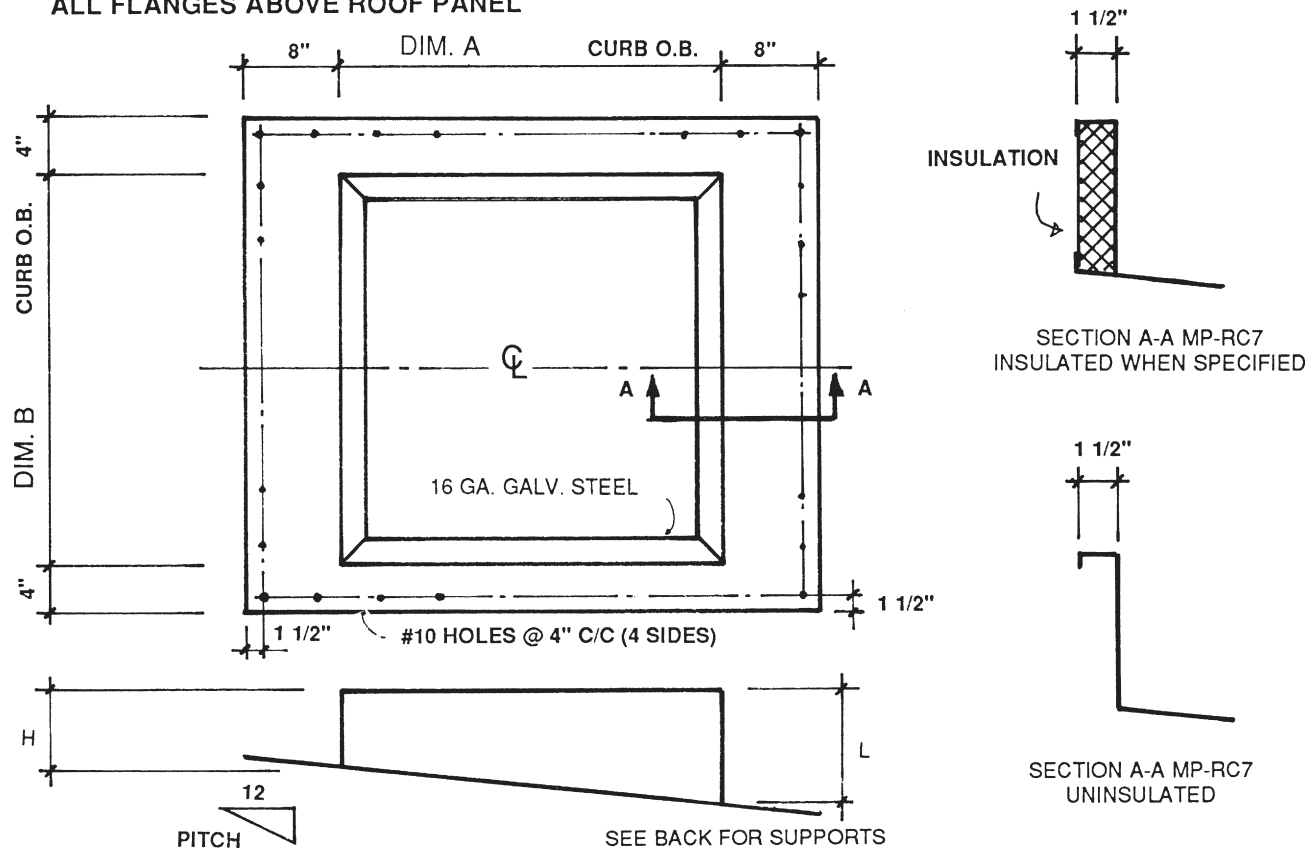
Customer: \_\_\_\_\_  
 \_\_\_\_\_  
 \_\_\_\_\_  
 \_\_\_\_\_  
 Ship To: \_\_\_\_\_  
 \_\_\_\_\_  
 \_\_\_\_\_  
 \_\_\_\_\_  
 Order No.: \_\_\_\_\_  
 Job No.: \_\_\_\_\_  
 Order Date: \_\_\_\_\_  
 Due Date: \_\_\_\_\_

**Metallic Products**  
**SLOPE MOUNT ROOF CURB**  
**Floating Curb w/Sub Framing**  
**MP-RC7**

- STANDARD FEATURES*
1. 16 gauge galvalume steel shell and baseplate
  2. Corners mitered and welded watertight
  3. Welds prime painted after fabrication
  4. Internal angle reinforcing when specified
  5. 6" minimum height on ridge side
  6. 1-1/2" – 3# density insulation when specified

- ADDED OPTIONS*
- 1.
  - 2.
  - 3.

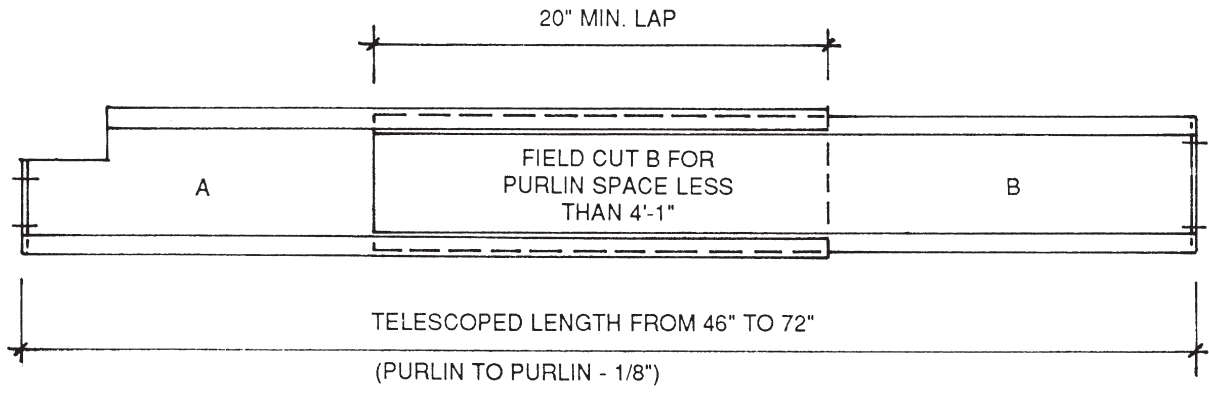
ALL FLANGES ABOVE ROOF PANEL



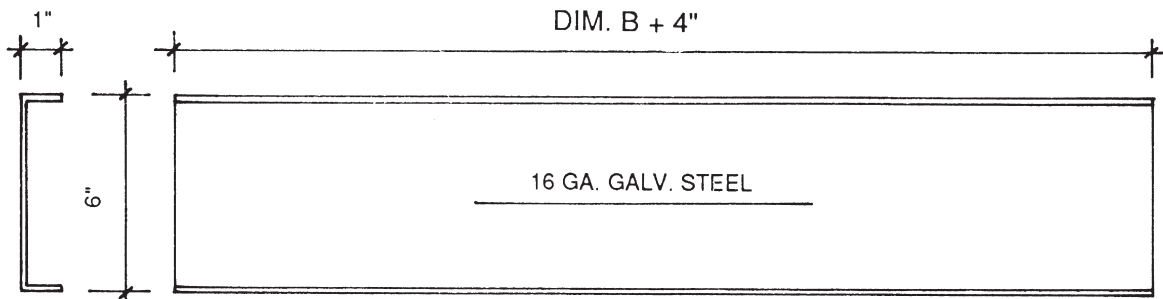
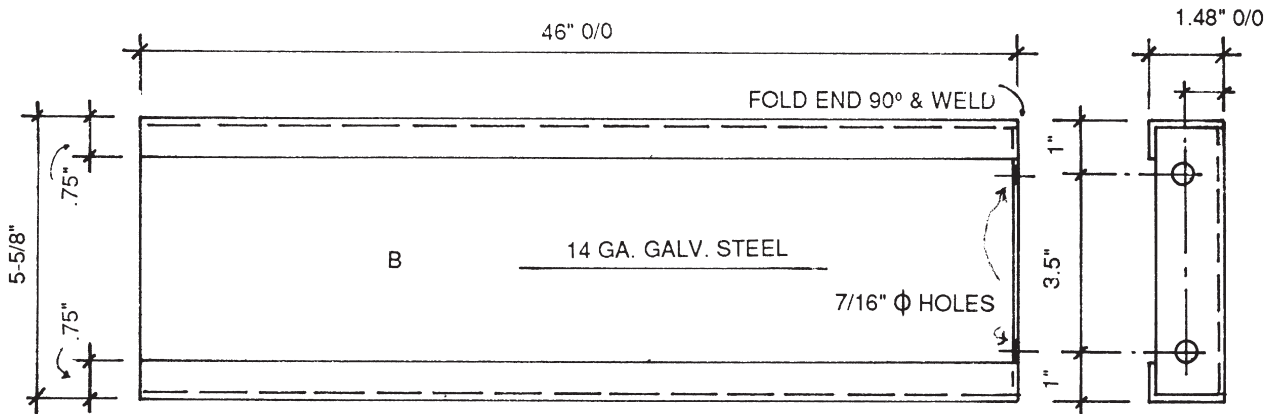
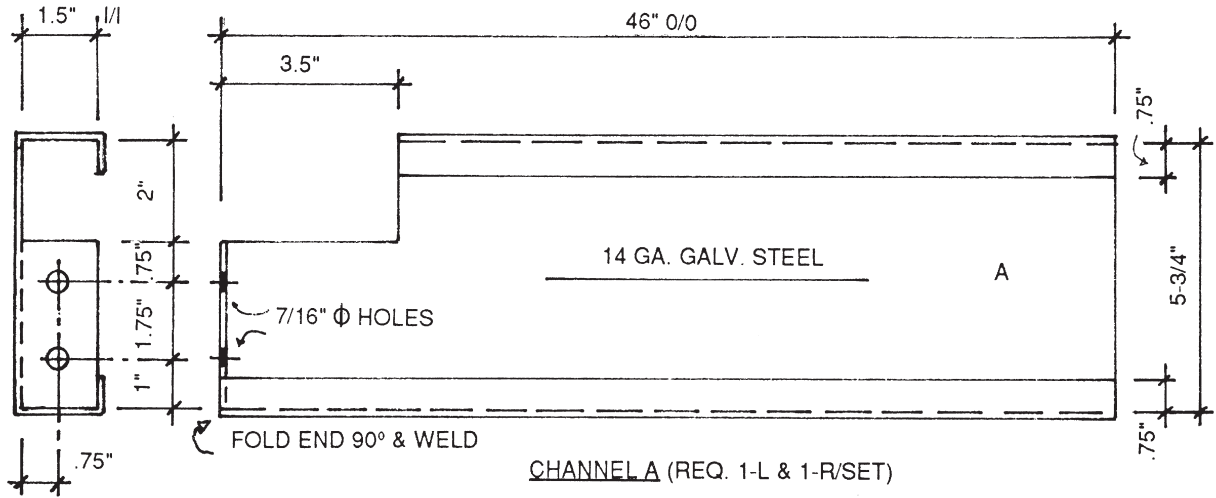
NO. REQ'D	DIM. A	DIM. B	H	L	TAG DESCRIPTION



# Curb Sub Framing Detail



ASSEMBLY DETAIL (REQ. 1-L & 1-R)



SEE ASSEMBLY DRAWING FOR LIST OF MATERIALS TO BE FURNISHED