

Customer: _____

 Ship To: _____

 Order No.: _____
 Job No.: _____
 Order Date: _____
 Due Date: _____

Metallic Products
SLOPE MOUNT ROOF CURB
No Corrugation, For Over & Under Deck
Installation
MP-RC6

STANDARD FEATURES

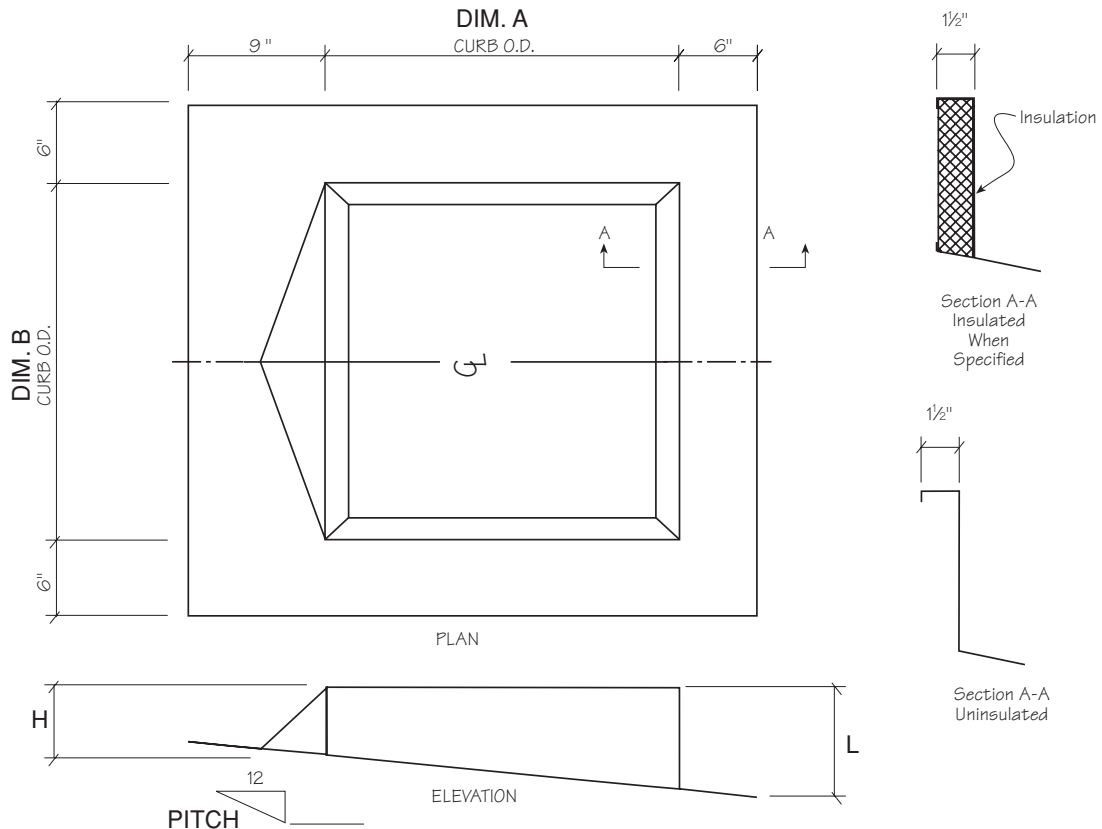
1. 16 gauge galvalume steel shell and baseplate
2. Corners mitered and welded watertight
3. Welds prime painted after fabrication
4. Additional reinforcing when specified
5. Water diverting cricket
6. 6" minimum height on ridge side
7. 1½" – 3# density insulation when specified

ADDED OPTIONS

- 1.
- 2.
- 3.

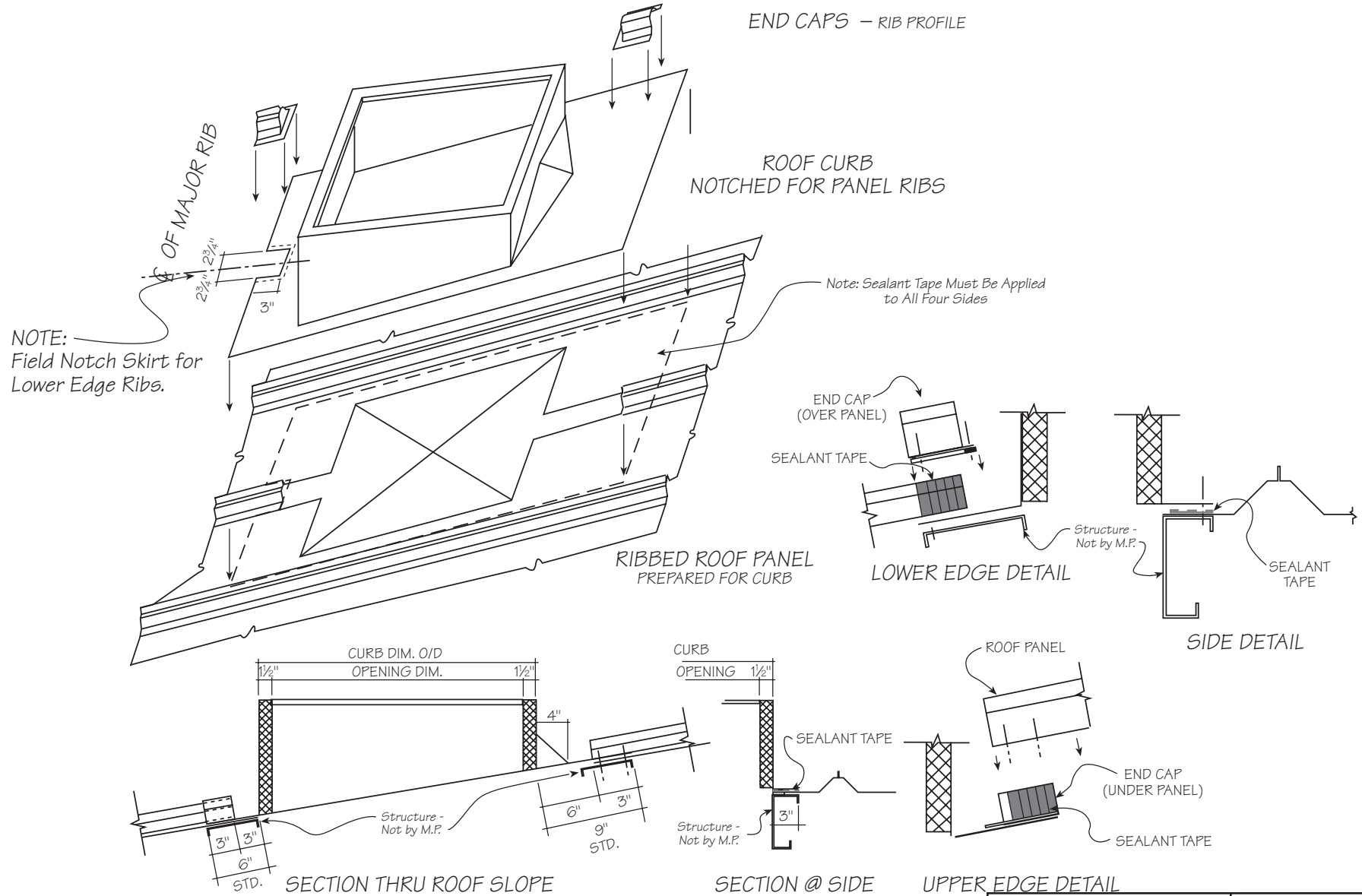
MATCH ROOF PANEL _____
(LOOSE RIBS)


FRONT FLANGE UNDER PANEL AND REAR FLANGES OVER PANEL



NO. REQ'D	DIM. A	DIM B	H	L	TAG DESCRIPTION





 <p>METALLIC PRODUCTS 3306 Ella Blvd. Houston, TX 77018 (713) 688-6624 • 1-800-356-7746 E-mail: info@mpvent.com</p>	DATE: 9/95
	TITLE: INSTALLATION INSTRUCTIONS
	PART: ROOF CURB
	MPD-25

Return to Roof Curb Spec. Page