

Customer: \_\_\_\_\_  
 \_\_\_\_\_  
 \_\_\_\_\_  
 \_\_\_\_\_  
 Ship To: \_\_\_\_\_  
 \_\_\_\_\_  
 \_\_\_\_\_  
 \_\_\_\_\_  
 Order No.: \_\_\_\_\_  
 Job No.: \_\_\_\_\_  
 Order Date: \_\_\_\_\_  
 Due Date: \_\_\_\_\_

**Metallic Products**

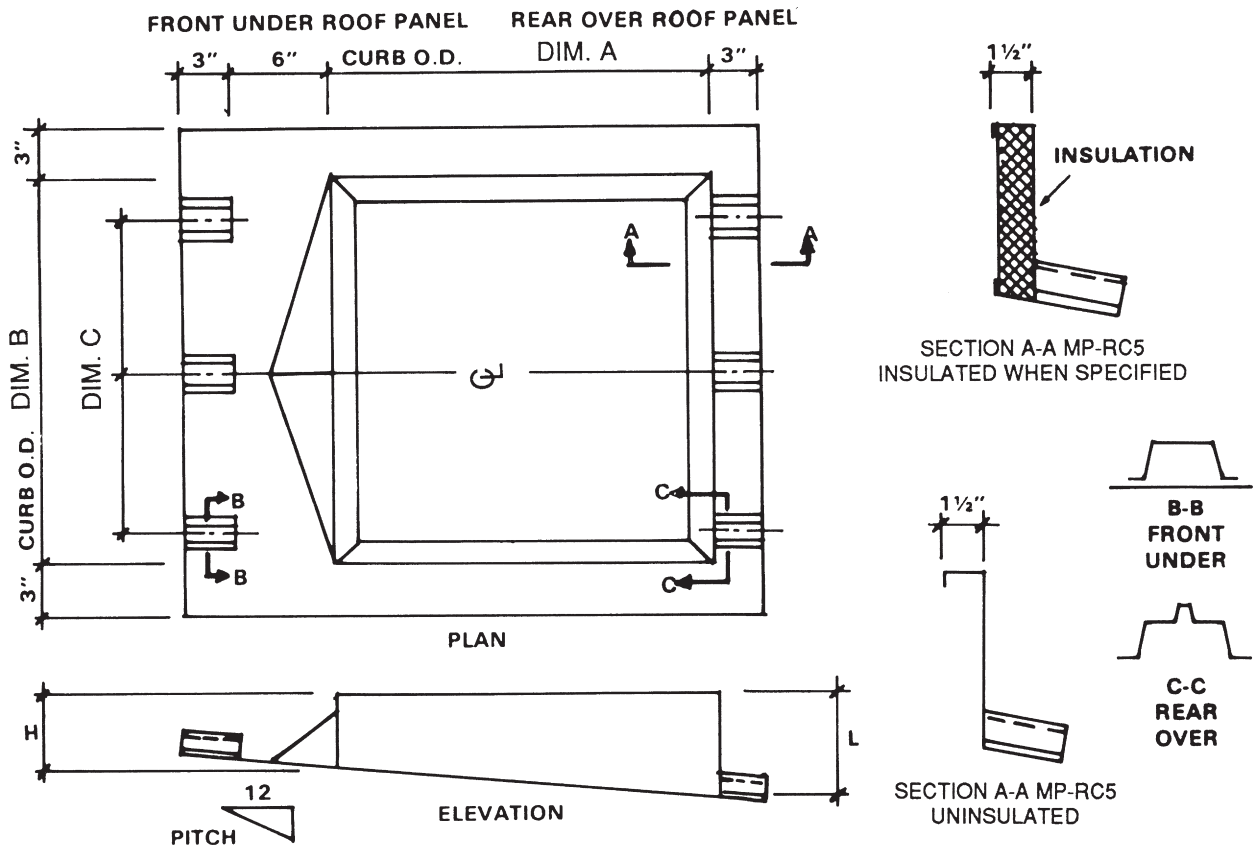
**SLOPE MOUNT ROOF CURB**  
 Shop Located, Shingle Type, Factory Installed  
 Corrugation  
 MP-RC5

*STANDARD FEATURES*

1. 16 gauge galvalume steel shell and baseplate
2. Corners mitered and welded watertight
3. Welds prime painted after fabrication
4. Additional reinforcing when specified
5. Water diverter
6. 6" minimum height on ridge side
7. 1-1/2" – 3# density insulation when specified

*ADDED OPTIONS*

- 1.
  - 2.
  - 3.
- MATCH ROOF PANEL \_\_\_\_\_



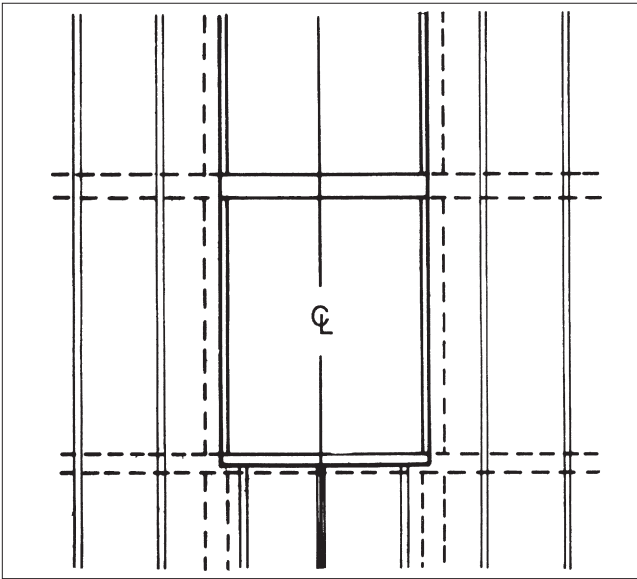
NO. REQ'D	DIM. A	DIM. B	DIM. C	H	L	TAG DESCRIPTION



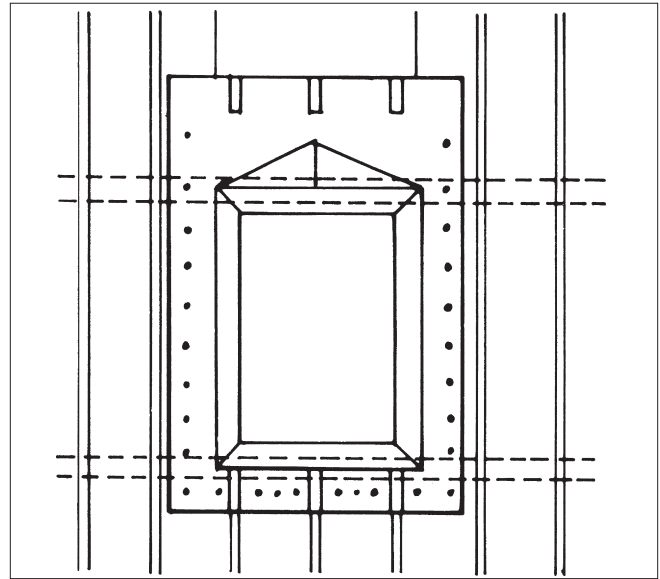
# INSTALLATION INSTRUCTIONS for MP-RC5

## ONE PIECE CONSTRUCTION

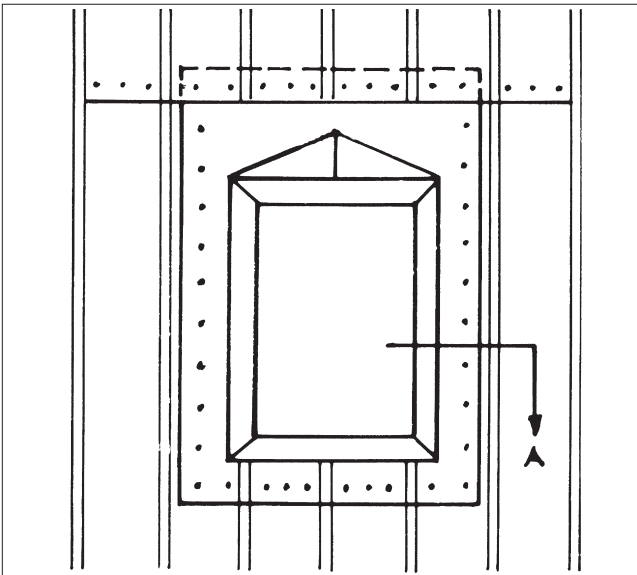
### Must Be installed as Deck is Being Laid



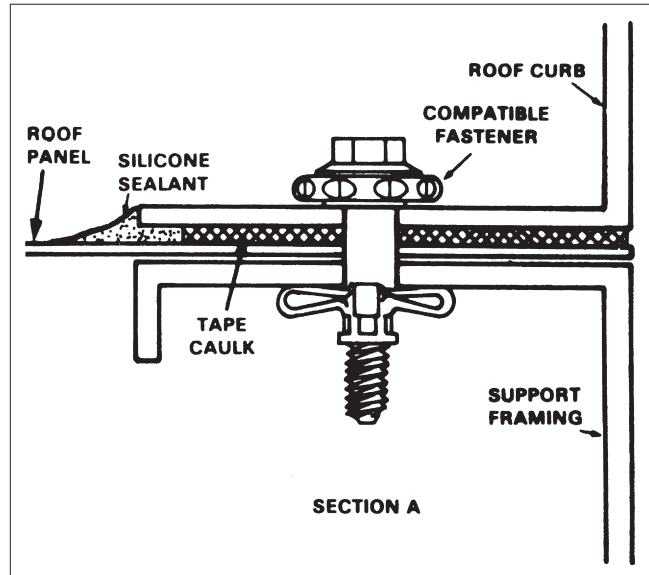
- A.**
1. As roof sheets are being installed, locate roof curb opening and install support framing for roof curb and equipment loads. Support at least two parallel curb walls. Avoid cantilever sections over 1' in length.
  2. Trim and install panels on the left, right and below (eave side) of roof opening. Take care to keep area of curb I.D. clear.
  3. Apply tape caulk to roof deck around roof opening, 2" from edge of opening.



- B**
4. Set curb in place and press flanges into mastic. Curb should be secured through roof deck to sub-framing using suitable fasteners compatible with roof system. A minimum of four fasteners per side spaced on 3" centers or less as roof system permits. Fasteners should withstand a minimum pullout force of 150# each.



- C.**
5. Apply sealant tape to leading edge of curb flange and press ridge side roof panels into position over flange and corrugation closure ribs. Seam roof panels and secure through curb flange into support steel as in step 4. Seal end of corrugation to pre-formed metal rib to prevent capillary action of moisture.



- D.**
6. Check tightness of fasteners and curb installation, caulk perimeter edge of curb and flanges of roof panel to seal moisture out.
  7. Apply a closed cell neoprene strip to top rail of roof curb before setting a rooftop unit. Equipment should be fastened directly to curb wall using compatible fasteners.