

Customer: _____

 Ship To: _____

 Order No.: _____
 Job No.: _____
 Order Date: _____
 Due Date: _____

Metallic Products

SLOPE MOUNT ROOF CURB

Over Panel Installation, Shop Located, Factory Installed Corrugation

MP-RC4

STANDARD FEATURES

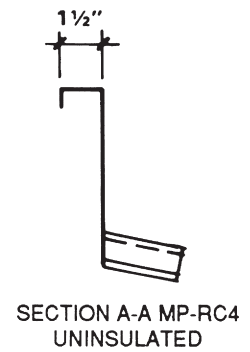
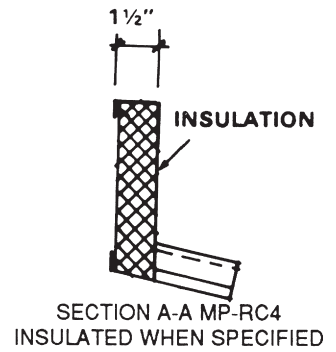
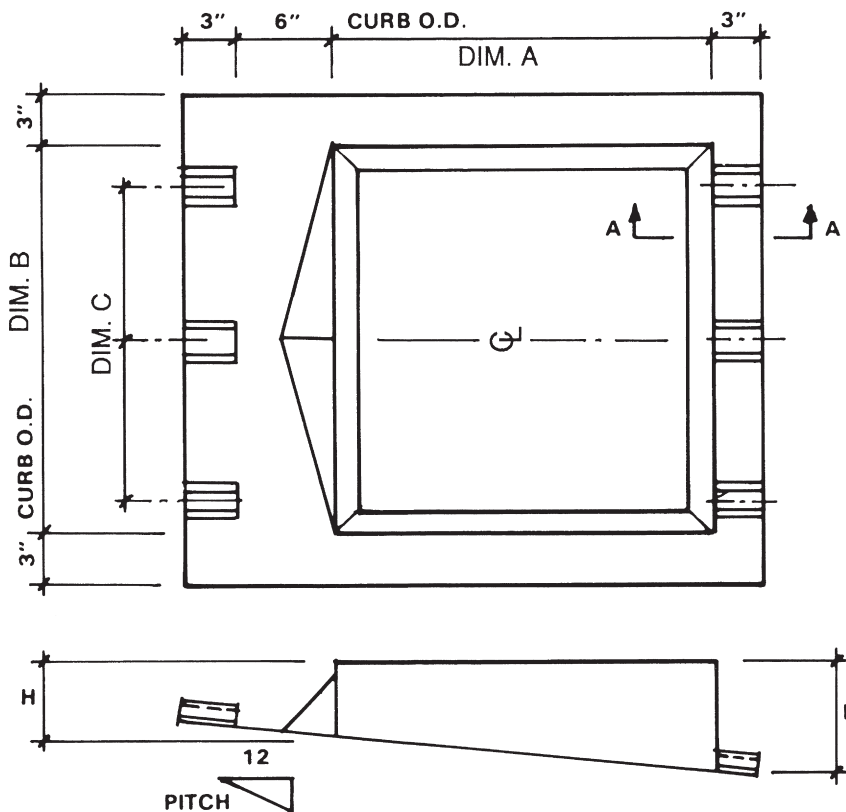
1. 16 gauge galvalume steel shell and baseplate
2. Corners mitered and welded watertight
3. Welds prime painted after fabrication
4. Additional reinforcing when specified
5. Water diverter
6. 6" minimum height on ridge side
7. 1-1/2" 3# density insulation when specified

ADDED OPTIONS

- 1.
- 2.
- 3.

MATCH ROOF PANEL _____

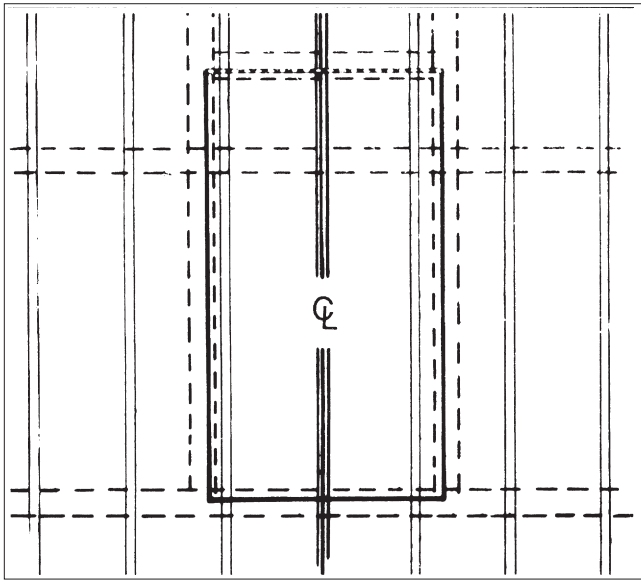
FRONT & REAR FLANGES OVER ROOF PANEL



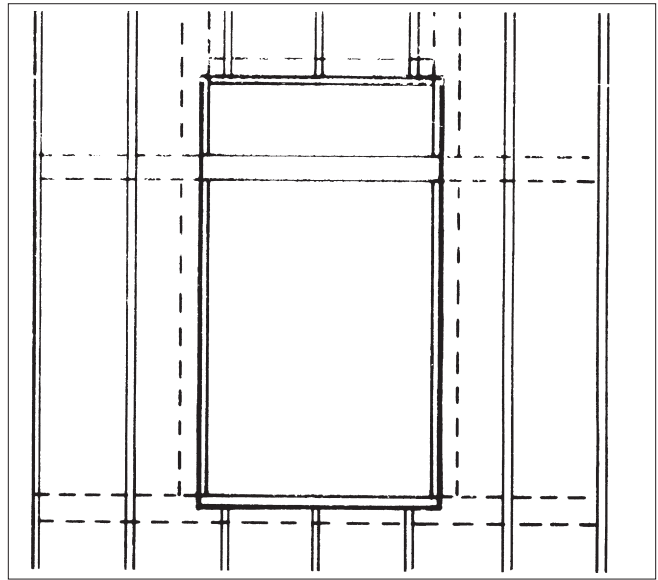
NO. REQ'D	DIM. A	DIM.B	DIM.C	H	L	TAG DESCRIPTION



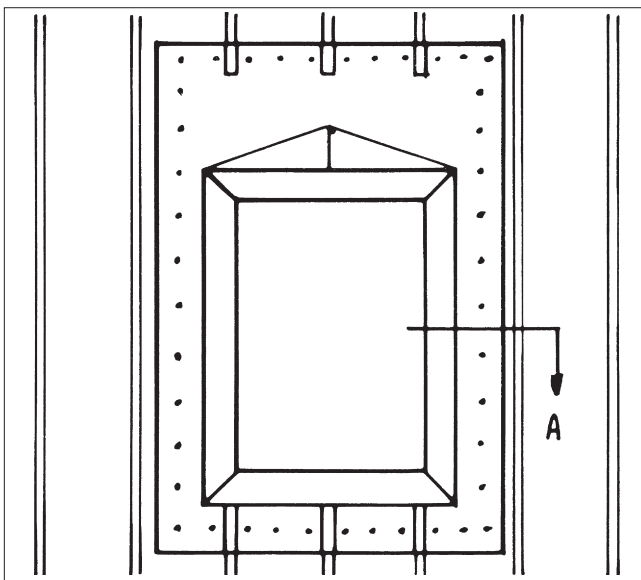
INSTALLATION INSTRUCTIONS for MP-RC4 FOR INSTALLATION OVER ROOF PANELS



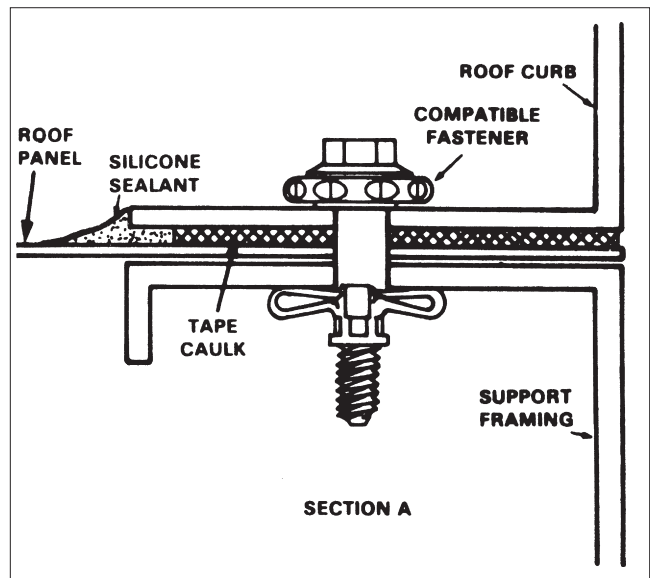
- A.
1. On fully sheeted roof, locate and mark center line of roof opening.
 2. Using distance from center line to major ribs as guide, layout and mark roof opening to curb outside dimensions.



- B.
3. Cut out roof opening to O.D. of curb, plus an additional 6" of the major ribs on the ridge side of the opening to allow the curb's water diverter area to seal to flat of roof deck.
 4. Install structural support framing for roof curb and equipment loads beneath roof curb walls and flanges around opening. Keep I.D. clear.



- C.
5. Turn roof curb upside down and apply tape caulk to curb flanges.
 6. Press the curb in place on the roof deck. Fasten curb to support steel through curb flange and roof deck using suitable fasteners compatible with roof system. A minimum of four fasteners per side spaced on 3" centers or less as roof system permits. Fasteners should withstand a minimum pullout force of 150# each.



- D.
7. Seal edge of roof curb flange with silicone caulk to assure watertight weather seal.
 8. Apply a closed cell neoprene strip to top rail of roof curb before setting a rooftop unit. Equipment should be fastened directly to curb wall using compatible fasteners.