

Customer: _____

 Ship To: _____

 Order No.: _____
 Job No.: _____
 Order Date: _____
 Due Date: _____

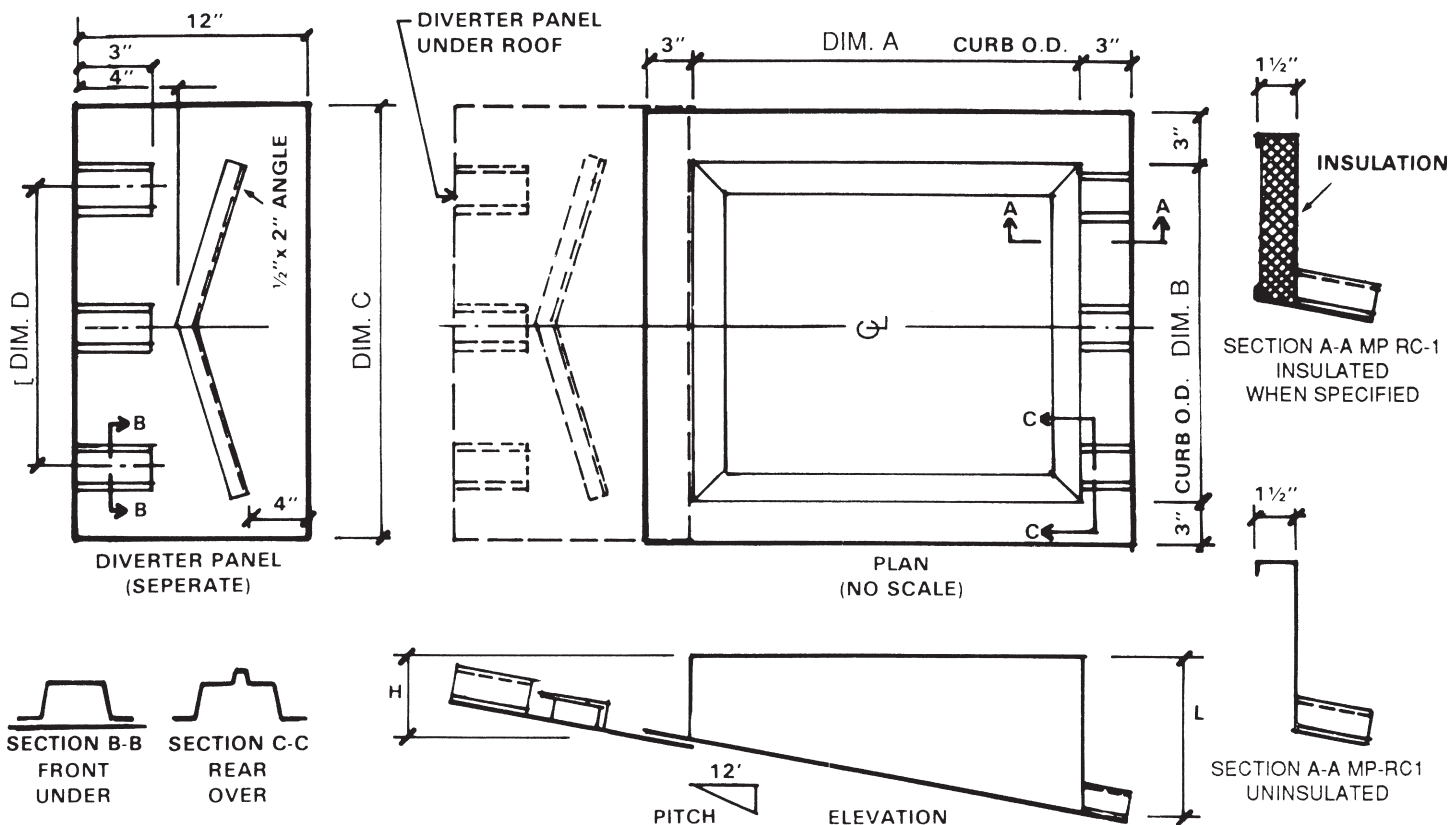
Metallic Products
SLOPE MOUNT, TWO PIECE CONSTRUCTION
ROOF CURB
Shingle Type, Field Located
MP-RC1

STANDARD FEATURES

1. 16 gauge galvanized steel shell and baseplate
2. Corners mitered and welded watertight
3. Welds prime painted after fabrication
4. Internal angle reinforcing when specified
5. Water diverter angle
6. 6" minimum height on ridge side
7. 1-1/2" – 3# density insulation when specified

ADDED OPTIONS

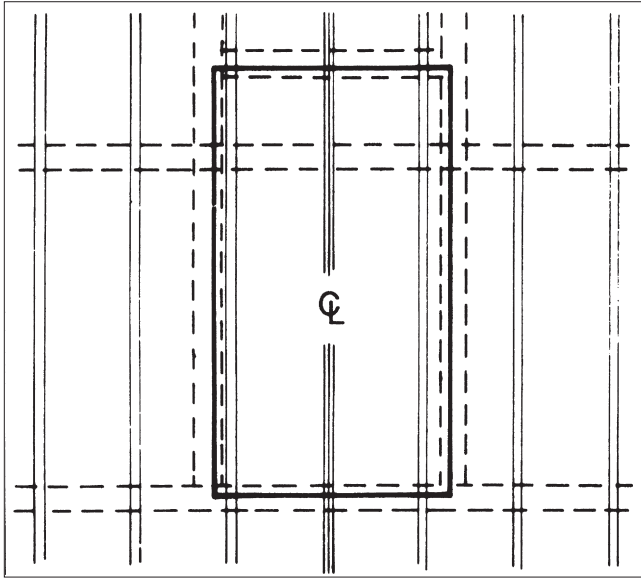
- 1.
 - 2.
 - 3.
- MATCH ROOF PANEL _____



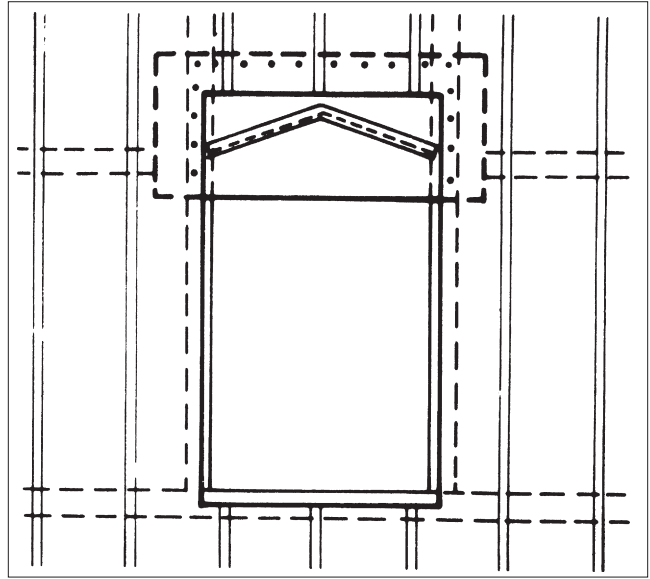
NO. REQ'D	DIM. A	DIM. B	H	L	DIM. C	DIM. D	TAG DESCRIPTION



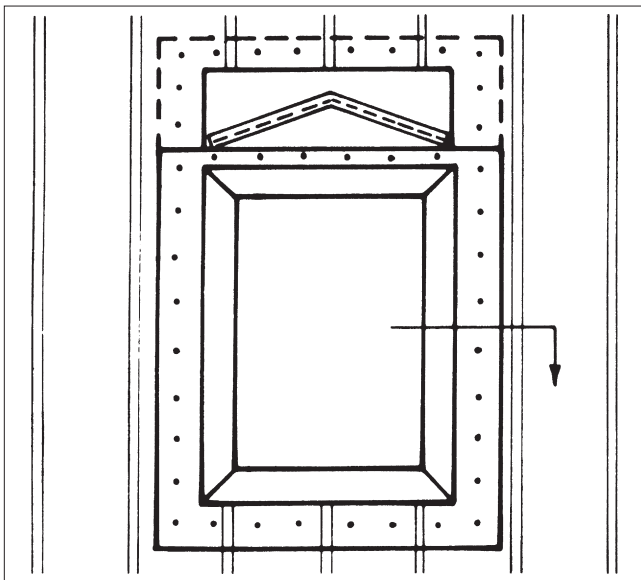
INSTALLATION INSTRUCTIONS for MP-RC1 TWO PIECE CONSTRUCTION TO BE INSTALLED ON COMPLETED ROOF DECK



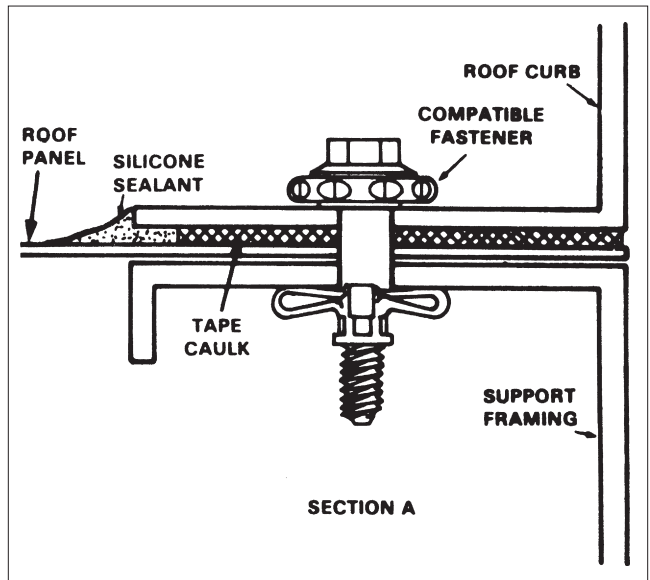
- A.
1. Using curb ribs as a guide, layout and mark roof openings on completed roof deck as outside curb width by outside curb length plus 9" for diverter plate.
 2. Cut openings in roof panel and install support framing for roof curb and equipment loads. Support at least two parallel curb walls. Avoid cantilever sections over 1' in length.



- B.
3. Apply wide tape caulk to diverter plate top sides and upper edge.
 4. Align diverter plate ribs with roof deck ribs and slide diverter plate beneath roof panel.
 5. Fasten diverter plate to roof panel and sub-framing using suitable fasteners compatible with roof system. A minimum of four fasteners per side spaced on 3" centers or less as roof system permits. Fasteners should withstand a minimum pullout force of 150# each.



- C.
6. Apply continuous tape caulk at least 2 -1/2" wide around remaining roof opening.
 7. Position curb so that corrugation on curb flanges mate on top of corresponding corrugations of roof panel on eave side of opening.
 8. Fasten curb to roof panel and diverter plate in accordance with step 5.



- D.
9. Inspect all joints and fasteners in curb flanges. Caulk diverter plate and roof curb flanges to seal out moisture.
 10. Apply a closed cell neoprene strip to top rail of roof curb before setting a rooftop unit. Equipment should be fastened directly to curb wall using compatible fasteners.