

DOMEX CENTRIFUGAL ROOF EXHAUSTERS

Return to Power Vent Page



Domex spun aluminum centrifugal roof fans are ideal for high volume, lower pressure air exhaust. These durable products are found on roofs throughout the world in a wide range of commercial, industrial and institutional buildings. Domex units include deep spun venturis, all aluminum non-overloading wheels and can include optional Lektrol speed controller (Direct Drive only) and curb. These models carry the AMCA Certified Ratings seal, UL and CSA labels.

DIRECT DRIVE

- ALL UNITS STOCKED WITH:
- 115/1/60 OPEN DRIP PROOF MOTOR
 - POLARIZED DISCONNECT PLUG
 - INTERNAL WIRING
 - ALUMINUM BIRD SCREEN
 - BACKDRAFT DAMPER

V-BELT DRIVE

- ALL UNITS STOCKED WITH:
- MOTOR (SEE PAGE 34)
 - POWER DISCONNECT SWITCH
 - INTERNAL WIRING
 - ALUMINUM BIRD SCREEN
 - BACKDRAFT DAMPER



DOMEX



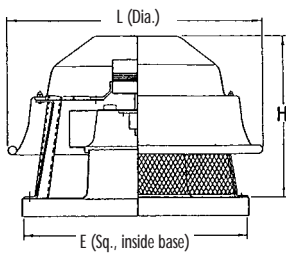
Penn Ventilation certifies that the Domex Direct and Belt Drive Models shown are licensed to bear the AMCA Seal. The ratings shown are based on tests and procedures performed in accordance with AMCA Publication 211 and Publication 311 and comply with the requirements of the AMCA Certified Ratings Program.



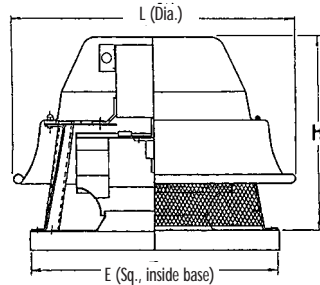
Penn Ventilation certifies that the Domex High Capacity Belt Drive Models shown are licensed to bear the AMCA Seal. The ratings shown are based on tests and procedures performed in accordance with AMCA Publication 211 and Publication 311 and comply with the requirements of the AMCA Certified Ratings Program.

DIMENSIONAL DATA - DIRECT & V-BELT DRIVE

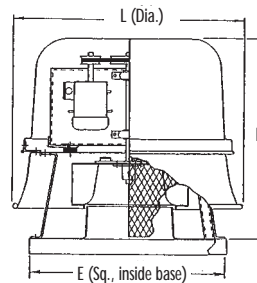
MODELS DX08, DX10, & DX11



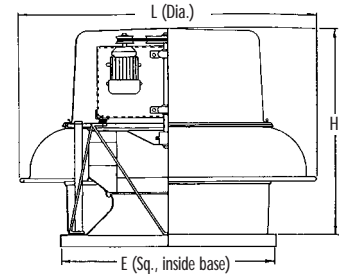
MODEL DX13



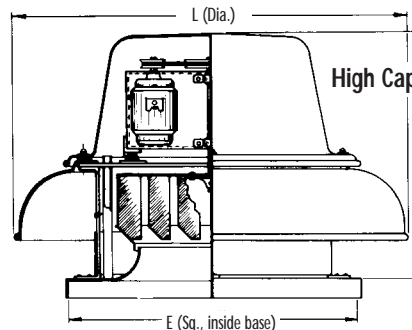
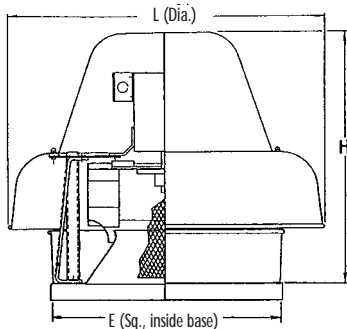
MODELS DX06B, DX08B, & DX11B



MODELS DX12B, DX14B, DX16B, DX18B, DX24B, DX30B, & DX36B*



MODEL DX16



High Capacity Models KB420 & JB48

Belt Drive Models DX06B - DX30B available:

24 MM

Models DX36B - JB48 available from Tabor City, NC only:

10 QB

Direct Drive Models available:

24 MM

Motors Mounted, complete ready to ship within 24 hours

MODEL	L DIA.	H	E*	Roof Opening
DX08S/R	20-7/8	13-3/8	18-1/2 X 18-1/2	9 X 9
DX10S/R	20-7/8	13-3/8	18-1/2 X 18-1/2	11-1/2 X 11-1/2
DX11V/S/R & Q	20-7/8	13-3/8	18-1/2 X 18-1/2	11-1/2 X 11-1/2
DX13V/S/R & Q	21-7/16	14-3/4	18-1/2 X 18-1/2	11-1/2 X 11-1/2
DX16V/S/R, Q1 & Q2	28-1/2	22-1/2	20-1/2 X 20-1/2	16 X 16

MODEL	L DIA.	H	E*	Roof Opening
DX06B	21-11/16	18-13/16	18-1/2 X 18-1/2	11-1/2 X 11-1/2
DX08B	21-11/16	18-13/16	18-1/2 X 18-1/2	11-1/2 X 11-1/2
DX11B	28-1/2	25-7/16	20-1/2 X 20-1/2	16 X 16
DX12B	33-1/2	29	24-3/4 X 24-3/4	16 X 16
DX14B	33-1/2	29	24-3/4 X 24-3/4	16 X 16
DX16B	39	31	28-1/2 X 28-1/2	20 X 20
DX18B	39	31	28-1/2 X 28-1/2	20 X 20
DX24B	46	33-1/2	33-1/2 X 33-1/2	25 X 25
DX30B	53-1/2	35-1/2	36-1/2 X 36-1/2	28 X 28
DX36B	66	41	44-1/2 X 44-1/2	36 X 36
KB420	63	38	52-1/2 X 52-1/2	44 X 44
JB48	73	45-1/2	59 X 59	50 X 50

Return to Power Vent Page

215.464.8900 • Penn Ventilation

FAN CAPACITY – CUBIC FEET PER MINUTE (CFM)

Fan Model	Nominal			Tip Speed FPM	0.000" SP		0.125" SP		0.250" SP		0.375" SP		0.500" SP		0.625" SP		0.750" SP		0.875" SP		1.000" SP		1.250" SP		
	HP	Max Watts	RPM		CFM	SONES	CFM	SONES	CFM	SONES	CFM	SONES	CFM	SONES	CFM	SONES	CFM	SONES	CFM	SONES	CFM	SONES	CFM	SONES	CFM
DX08S	1/50	44	1300	3361	237	1.5	161	2.2	114	3	69	3.8													
DX08R	1/30	55	1550	4007	290	2.4	223	2.8	171	3.5	129	4.1	84	4.9											
DX10S	1/25	82	1300	3361	385	3.9	316	3.5	257	4.8	207	5.1	168	5.2	129	5.6	82	6.1							
DX10R	1/12	121	1550	4007	559	6.1	501	5.9	446	6.1	394	6.5	338	6.8	267	7	187	7.2	100	7.4					
DX11V	1/25	111	1050	3058	388	1.8	223	2.2	148	3.1	112	3.7	80	4.5	49	5.3									
DX11S	1/11	142	1300	3786	503	3.4	397	3.6	320	4.3	262	5	201	5.5	149	6	104	6.5							
DX11R	1/7	201	1550	4514	736	6.7	659	6.4	577	6.6	502	6.9	432	7.6	356	7.9	274	7.9	188	7.9	100	7.9			
DX11Q	1/5	268	1725	5024	997	10.2	921	9.7	850	9.5	768	9.5	685	9.4	598	9.2	511	9	409	8.7	294	8.6			
DX13V	1/20	92	1050	3221	661	4.4	479	3.1	341	2.8	262	3.6	207	4.3	161	5.1	115	5.9	79	6.6	44	7.4			
DX13S	1/12	120	1300	3988	869	8	749	6.4	632	5.3	510	5.4	418	6	349	6.4	290	6.7	226	7	158	7.4			
DX13R	1/6	201	1550	4755	1054	10.5	988	9.9	917	9.2	839	8.9	736	8.5	651	8.2	579	7.9	510	7.9	428	8	191	8.5	
DX13Q	1/4	314	1725	5292	1280	16	1226	15.3	1170	14.6	1112	14	1053	13.4	995	13	936	12.5	868	12	796	11.5	630	11	
DX16V	1/6	453	1050	3788	1738	9.9	1489	8	1256	6.6	1032	6.1	884	6.6	772	7.1	682	7.9	598	9.9	529	10.1	392	10.2	
DX16S	1/3	510	1300	4690	2021	12	1822	10.6	1637	9.5	1428	8.7	1256	8.4	1094	8.5	943	9.3	850	10.2	775	11	606	12.3	
DX16R	1/2	574	1550	5592	2346	13.8	2176	12.8	2014	12	1853	11.3	1685	10.7	1532	10.4	1384	10.1	1247	10	1115	10.4	881	12.4	
DX16Q1	1/2	688	1650	5953	2701	16.9	2576	16.4	2465	15.9	2352	15.5	2228	15	2096	14.4	1966	14	1839	13.6	1700	13.5	1401	13.5	
DX16Q2	3/4	866	1725	6223	3016	17.7	2921	17.1	2829	16.7	2747	16.3	2665	15.9	2575	15.5	2484	15	2371	14.6	2256	14.2	2005	13.3	

Performance shown is for installation Type A: Free Inlet, Free Outlet. Speed (RPM) shown is nominal. Performance is based on actual speed of test. The sound ratings shown are for loudness values in fan sones at 5'0" (1.5m) in a hemispherical free field per AMCA Standard 301. Values shown are for Installation Type A: free inlet fan sone levels. See page 34 for speed control availability. Performance ratings do not include the effects of appurtenances in the airstream. See page 31 for roof curb availability.

DOMEX V-BELT DRIVE

MODEL	HP	RPM	TIP SPEED (FPM)	FAN CAPACITY - CUBIC FEET PER MINUTE (CFM)													
				0.000" SP		0.125" SP		0.250" SP		0.375" SP		0.500" SP		0.625" SP		0.750" SP	
				Sones	BHP	Sones	BHP	Sones	BHP	Sones	BHP	Sones	BHP	Sones	BHP	Sones	BHP
DX06B	1/6	1240	3612	873		783		675		547		389		158			
				8.2	0.17	7.6	0.17	6.9	0.16	6.4	0.15	5.8	0.14	5.3	0.11		
				10.1	0.26	9.5	0.26	9.1	0.25	8.5	0.25	8.0	0.24	7.9	0.22	7.9	0.20
DX08B	1/6	1240	3804	956		885		803		719		626		509		279	
				10.4	0.16	9.4	0.16	8.6	0.17	8.1	0.17	7.7	0.17	7.4	0.16	6.8	0.14
				11.08		10.49		9.79		9.09		8.36		7.56		6.69	
	1/4	1437	4185	12.5	0.25	11.8	0.25	11.1	0.26	10.5	0.26	9.9	0.26	9.8	0.26	9.8	0.26

MODEL	HP	RPM	TIP SPEED (FPM)	FAN CAPACITY - CUBIC FEET PER MINUTE (CFM)																					
				0.000" SP		0.125" SP		0.250" SP		0.375" SP		0.500" SP		0.625" SP		0.750" SP		0.875" SP		1.000" SP		1.125" SP		1.250" SP	
				Sones	BHP	Sones	BHP	Sones	BHP	Sones	BHP	Sones	BHP	Sones	BHP	Sones	BHP	Sones	BHP	Sones	BHP	Sones	BHP	Sones	BHP
DX11B	1/4	1093	3943	1884		1768		1639		1496		1329		1111		758									
				10.2	0.23	9.6	0.24	9.1	0.24	8.3	0.25	7.9	0.26	7.7	0.26	7.7	0.23								
	1/3	1191	4297	2053		1948		1834		1708		1568		1406		1193		883							
				11.5	0.29	11.0	0.30	10.5	0.31	9.8	0.32	9.0	0.34	8.8	0.34	8.6	0.34	8.6	0.31						
	1/2	1369	4939	2360		2271		2172		2069		1959		1838		1703		1556		1352		1095			
14.0				0.44	13.6	0.46	13.2	0.47	12.8	0.48	12.1	0.48	11.4	0.51	11.0	0.52	10.8	0.52	10.9	0.51	10.9	0.48			
3/4	1575	5682	2716		2638		2555		2468		2377		2282		2180		2073		1952		1825				
			17.4	0.67	17.2	0.69	16.9	0.71	16.6	0.72	16.3	0.73	15.6	0.74	15.0	0.76	14.4	0.78	14.3	0.79	14.3	0.79			

MODEL	HP	RPM	TIP SPEED (FPM)	FAN CAPACITY - CUBIC FEET PER MINUTE (CFM)																				
				0.000" SP		0.125" SP		0.250" SP		0.375" SP		0.500" SP		0.625" SP		0.875" SP		1.000" SP		1.125" SP		1.250" SP		
				Sones	BHP	Sones	BHP	Sones	BHP	Sones	BHP	Sones	BHP	Sones	BHP	Sones	BHP	Sones	BHP	Sones	BHP	Sones	BHP	
DX12B	1/4	1039	4318	2027		1894		1737		1597		1422		1219										
				13.7	0.21	13.2	0.22	12.6	0.24	12.2	0.25	11.7	0.26	11.6	0.26									
	1/3	1132	4705	2208		2091		1946		1813		1673		1503		1058								
				15.0	0.27	14.4	0.28	13.9	0.30	13.4	0.31	13.0	0.33	12.7	0.34	12.5	0.33							
	1/2	1302	5411	2540		2439		2319		2195		2082		1963		1668		1503		1280		869		
18.1				0.40	17.6	0.42	17.1	0.44	16.6	0.46	16.0	0.48	15.4	0.49	14.7	0.52	14.9	0.52	15.2	0.51	14.5	0.45		
3/4	1497	6222	2921		2833		2737		2627		2520		2421		2212		2091		1953		1811			
			22.0	0.61	21.0	0.63	21.0	0.65	20.0	0.68	19.7	0.71	19.2	0.72	18.1	0.75	17.5	0.77	17.2	0.78	17.3	0.79		

Performance shown is for installation type A: Free Inlet, Free Outlet. Power rating (BHP) does not include drive losses. FanSizer software automatically calculates drive losses when selecting equipment. The sound ratings shown are for loudness values in fan sones at 5'0" (1.5m) in a hemispherical free field per AMCA Standard 301. Values shown are for installation Type A: free inlet fan sone levels. Performance ratings do not include the effects of appurtenances in the airstream. See page 31 for roof curb availability.

MODEL	HP	RPM	TIP SPEED (FPM)	FAN CAPACITY - CUBIC FEET PER MINUTE (CFM)																					
				0.000" SP		0.125" SP		0.250" SP		0.375" SP		0.500" SP		0.625" SP		0.750" SP		1.000" SP		1.250" SP		1.500" SP			
				Sones	BHP	Sones	BHP	Sones	BHP	Sones	BHP	Sones	BHP	Sones	BHP	Sones	BHP	Sones	BHP	Sones	BHP	Sones	BHP	Sones	BHP
DX14B	1/4	958	3982	2606		2415		2226		1977		1699		1355											
				11.8	0.23	11.2	0.24	10.6	0.26	10.0	0.26	8.8	0.26	7.6	0.25										
	1/3	1044	4339	2840		2662		2499		2292		2044		1788		1445									
				13.1	0.29	12.6	0.31	12.1	0.33	11.4	0.34	10.7	0.34	9.4	0.34	8.4	0.32								
	1/2	1200	4987	3264		3109		2965		2812		2627		2412		2191		1629							
				17.3	0.45	16.8	0.46	16.3	0.48	15.8	0.50	15.1	0.52	14.4	0.52	12.9	0.52	10.6	0.49						
3/4	1380	5735	3754		3619		3488		3367		3229		3071		2891		2507		2080		699				
			19.5	0.68	19.1	0.70	18.6	0.72	18.2	0.74	17.8	0.76	17.2	0.78	16.6	0.79	14.9	0.79	13.1	0.76	12.9	0.45			
1	1498	6226	4075		3951		3826		3714		3602		3465		3317		2974		2618		2200				
			22.0	0.87	22.0	0.89	21.0	0.91	21.0	0.93	20.0	0.96	19.8	0.98	19.3	1.00	18.1	1.01	16.3	1.00	14.6	0.97			
DX16B	1/4	694	3395	2889		2677		2450		2212		1707													
				10.4	0.23	10.0	0.24	9.7	0.26	9.3	0.27	8.8	0.25												
	1/3	755	3694	3142		2950		2744		2528		2266		1620											
				11.9	0.30	11.6	0.31	11.1	0.33	10.7	0.34	10.3	0.34	9.7	0.31										
	1/2	868	4247	3613		3447		3271		3088		2900		2690		2314									
				14.3	0.45	13.9	0.47	13.5	0.49	13.2	0.50	12.8	0.51	12.3	0.52	11.6	0.51								
3/4	997	4878	4150		4005		3856		3701		3540		3377		3212		2608								
			17.4	0.68	17.1	0.70	16.7	0.72	16.4	0.74	16.0	0.76	15.7	0.78	15.2	0.79	13.9	0.77							
1	1081	5289	4500		4366		4231		4088		3943		3794		3643		3299		2484						
			18.9	0.87	18.6	0.89	18.3	0.92	17.9	0.94	17.6	0.96	17.2	0.97	16.8	0.99	15.9	1.01	14.7	0.93					
1 1/2	1241	6072	5166		5050		4933		4812		4688		4563		4432		4170		3884		3398				
			23.0	1.31	23.0	1.34	22.0	1.37	22.0	1.39	22.0	1.42	21.0	1.44	21.0	1.46	20.0	1.50	19.1	1.53	17.8	1.51			
DX18B	1/4	635	3366	3345		3037		2711		2291															
				10.1	0.22	9.7	0.24	9.1	0.26	8.3	0.26														
	1/3	691	3663	3640		3360		3062		2751		2162													
				10.9	0.28	10.5	0.31	10.1	0.33	9.3	0.34	8.5	0.34												
	1/2	794	4209	4182		3943		3685		3424		3150		2684		1604									
				14.2	0.43	13.7	0.46	13.2	0.48	12.5	0.50	11.6	0.52	10.6	0.51	10.3	0.41								
3/4	912	4835	4804		4595		4376		4151		3923		3684		3376		1675								
			17.1	0.65	16.8	0.68	16.3	0.71	15.8	0.74	15.1	0.76	14.3	0.78	13.4	0.78	12.3	0.59							
1	989	5243	5209		5017		4819		4612		4403		4190		3969		3213								
			19.9	0.82	19.6	0.87	19.2	0.90	18.7	0.92	18.2	0.95	17.5	0.98	16.7	1.00	14.9	0.99							
1 1/2	1136	6022	5984		5816		5649		5470		5289		5108		4925		4543		3945		2625				
			23.0	1.25	23.0	1.30	22.0	1.34	22.0	1.34	22.0	1.37	21.0	1.44	21.0	1.47	19.2	1.52	17.7	1.49	16.8	1.29			
2	1252	6637	6595		6443		6291		6134		5970		5806		5641		5307		4958		4399				
			26.0	1.67	26.0	1.73	26.0	1.78	26.0	1.82	25.0	1.85	25.0	1.88	24.0	1.92	23.0	1.99	22.0	2.05	21.0	2.00			
DX24B	1/4	448	2906	4306		3873		3251		2278															
				8.6	0.22	7.9	0.25	7.3	0.26	4.7	0.24														
	1/3	488	3166	4690		4303		3766		3087															
				9.7	0.28	9.1	0.32	8.4	0.34	6.9	0.33														
	1/2	561	3640	5392		5075		4650		4142		3517													
				11.6	0.43	11.0	0.47	10.4	0.49	9.6	0.51	8.2	0.50												
3/4	645	4185	6200		5926		5601		5196		4747		4226		3466										
			14.5	0.65	14.0	0.71	13.4	0.73	12.6	0.76	11.9	0.78	10.8	0.76	8.8	0.73									
1	700	4541	6728		6477		6191		5847		5450		5031		4531										
			15.5	0.83	15.0	0.89	14.5	0.93	13.9	0.96	13.3	0.99	12.6	1.00	11.5	0.97									
1 1/2	805	5223	7738		7519		7298		7022		6713		6374		6009		5182		3788						
			19.1	1.27	18.6	1.33	18.1	1.40	17.6	1.42	17.0	1.45	16.5	1.50	15.9	1.51	14.1	1.48	12.0	1.35					
2	887	5755	8526		8327		8129		7898		7648		7352		7046		6384		5561		4317				
			21.0	1.69	21.0	1.77	20.0	1.84	19.7	1.89	19.2	1.91	18.6	1.95	18.1	2.00	17.0	2.04	15.3	1.97	13.9	1.83			
DX30B	1/3	372	2983	5753		5164		4386		3184															
				8.7	0.27	8.0	0.30	7.4	0.33	6.6	0.32														
	1/2	428	3432	6619		6120		5514		4747		3627													
				10.4	0.41	9.7	0.45	9.0	0.49	8.3	0.51	7.4	0.49												
	3/4	492	3945	7609		7183		6695		6136		5430		4490											
				13.1	0.62	12.1	0.67	11.0	0.71	10.3	0.76	9.4	0.78	8.7	0.76										
	1	534	4281	8259		7871		7443		6939		6375		5691		4760									
				14.7	0.79	13.9	0.85	13.2	0.89	12.4	0.94	11.6	0.98	10.6	1.00	9.5	0.97								
1 1/2	614	4923	9496		9162		8801		8405		7964		7493		6917		5412								
			17.4	1.20	16.9	1.27	16.2	1.32	15.6	1.37	14.9	1.43	14.2	1.49	13.2	1.50	10.9	1.47							
2	677	5428	10471		10168		9848		9513		9129		8724		8302		7235		5744						
			19.5	1.61	19.0	1.69	18.6	1.75	18.2	1.80	17.7	1.86	16.9	1.92	16.1	1.99	14.2	2.03	12.5	1.96					
3	777	6230	12018		11754		11488		11196		10905		10569		10224		9485		8564		7426				
			23.0	2.44	22.0	2.53	22.0	2.61	22.0	2.67	21.0	2.73	21.0	2.79	20.0	2.86	18.7	3.01	17.1	3.06	15.5	3.01			
5	923	7400	14276		14054		13831		13603		13357		13112		12859		12284		11680		11001				
			29.0	4.09	29.0	4.19	29.0	4.30	28.0	4.39	28.0	4.46	28.0	4.53	28.0	4.60</									

MODEL	HP	RPM	TIP SPEED (FPM)	FAN CAPACITY - CUBIC FEET PER MINUTE (CFM)																			
				0.000" SP		0.125" SP		0.250" SP		0.375" SP		0.500" SP		0.625" SP		0.750" SP		1.000" SP		1.250" SP		1.500" SP	
				Sones	BHP	Sones	BHP	Sones	BHP	Sones	BHP	Sones	BHP	Sones	BHP	Sones	BHP	Sones	BHP	Sones	BHP	Sones	BHP
DX36B	1/2	307	2989	9057		8105		6994															
				8.0	0.39	7.7	0.46	7.6	0.51														
	3/4	352	3427	10385		9613		8675		7497													
				10.6	0.58	10.2	0.65	9.5	0.74	9.1	0.79												
	1	382	3719	11270		10589		9705		8809		7438											
				12.4	0.75	12.1	0.82	11.3	0.92	10.6	0.99	9.9	1.00										
	1 1/2	439	4274	12951		12397		11627		10904		10089		8939									
				16.1	1.13	16.1	1.23	15.4	1.33	14.7	1.43	14.0	1.50	13.1	1.53								
	2	484	4712	14279		13798		13139		12432		11778		10998		9945							
				18.8	1.52	18.8	1.63	18.6	1.71	18.0	1.85	17.2	1.95	16.5	2.02	15.8	2.06						
	3	555	5403	16374		15969		15452		14826		14223		13662		13039		11292					
				23.0	2.29	23.0	2.43	23.0	2.50	22.0	2.65	22.0	2.80	21.0	2.91	20.0	3.00	18.9	3.09				
	5	659	6416	19442		19101		18722		18255		17730		17205		16722		15732		14438		12737	
				29.0	3.83	29.0	4.00	29.0	4.13	29.0	4.22	28.0	4.38	28.0	4.57	27.0	4.74	26.0	4.97	24.0	5.17	23.0	5.10

Performance shown is for installation type A: Free Inlet, Free Outlet. Power rating (BHP) does not include drive losses. FanSizer software automatically calculates drive losses when selecting equipment. The sound ratings shown are for loudness values in fan sones at 5'0" (1.5m) in a hemispherical free field per AMCA Standard 301. Values shown are for installation Type A: free inlet fan sone levels. Performance ratings do not include the effects of appurtenances in the airstream. See page 31 for roof curb availability.

DOMEX HIGH CAPACITY MODELS **10 QB**

MODEL	HP	RPM	TIP SPEED (FPM)	FAN CAPACITY - CUBIC FEET PER MINUTE (CFM)																			
				0.000" SP		0.125" SP		0.250" SP		0.375" SP		0.500" SP		0.625" SP		0.750" SP		1.000" SP		1.250" SP		1.500" SP	
				Sones	BHP	Sones	BHP	Sones	BHP	Sones	BHP	Sones	BHP	Sones	BHP	Sones	BHP	Sones	BHP	Sones	BHP	Sones	BHP
KB420	3/4	283	3223	9967		8479		6607															
				7.6	0.77	7.4	0.78	7.1	0.77														
	1	308	3508	10847		9497		7905		5889													
				8.4	0.99	8.1	1.01	7.8	1.00	7.5	0.95												
	1 1/2	354	4031	12467		11307		10017		8492		6700											
				9.8	1.49	9.4	1.51	9.0	1.51	8.6	1.49	8.4	1.42										
	2	390	4441	13735		12682		11565		10299		8785		7013									
				11.2	1.98	10.7	2.01	10.3	2.01	10.0	2.00	9.6	1.96	9.5	1.86								
	3	447	5091	15743		14824		13889		12852		11732		9019									
				13.2	2.97	12.7	2.99	12.2	3.01	11.8	3.01	11.6	3.00	11.4	2.95	11.3	2.87						
	5	532	6059	18737		17964		17192		16390		15523		14603		13621		11334					
				15.9	4.97	15.3	5.01	14.8	5.04	14.2	5.05	13.8	5.04	13.8	5.03	13.7	5.02	13.6	4.87				
	7 1/2	599	6822	21096		20410		19724		19038		18306		17535		16725		14978		12909			
				18.5	7.08	17.9	7.12	17.3	7.16	16.7	7.19	16.1	7.19	15.7	7.18	15.7	7.17	15.7	7.13	15.7	6.95		
JB48	3/4	205	2683	14390		11552		7750															
				6.8	0.77	6.4	0.78	6.2	0.71														
	1	225	2945	15794		13298		10237															
				7.6	1.02	7.3	1.03	7.0	0.99														
	1 1/2	255	338	17900		15809		13195		10060													
				8.9	1.49	8.5	1.51	8.1	1.48	7.6	1.39												
	2	280	3665	19655		17829		15448		13008		9318											
				9.9	1.97	9.5	2.00	9.1	1.97	8.6	1.92	8.1	1.72										
	3	320	4189	22463		20890		18960		16853		14669		11625									
				12.0	2.94	11.6	2.98	11.1	2.97	10.5	2.93	10.1	2.86	9.7	2.66								
	5	380	4974	26675		25387		23940		22198		20396		18673		16640							
				15.1	4.92	14.6	4.97	13.9	4.99	13.2	4.97	12.5	4.92	12.1	4.86	11.9	4.73						
	7 1/2	430	5629	30185		29048		27829		26419		24867		23270		21783		18188		11780			
				17.6	7.12	16.9	7.19	16.2	7.23	15.5	7.23	14.7	7.19	14.0	7.13	13.5	7.08	13.4	6.79	13.4	5.65		
10	480	6283	33695		32676		31616		30496		29131		27737		26307		23555		20246		15161		
			20.0	9.91	19.8	9.98	19.7	10.03	19.7	10.07	19.7	10.04	19.7	10.00	19.7	9.93	19.7	9.79	19.7	9.43	19.7	8.45	

Performance shown is for installation type A: Free Inlet, Free Outlet. Power rating (BHP) does not include drive losses. FanSizer software automatically calculates drive losses when selecting equipment. The sound ratings shown are for loudness values in fan sones at 5'0" (1.5m) in a hemispherical free field per AMCA Standard 301. Values shown are for installation Type A: free inlet fan sone levels. Performance ratings do not include the effects of appurtenances in the airstream. See page 31 for roof curb availability.

At Penn Ventilation's option, large frame motors may be removed after testing and shipped separately.