



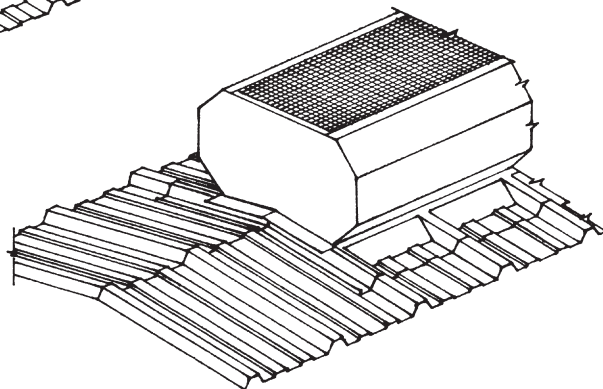
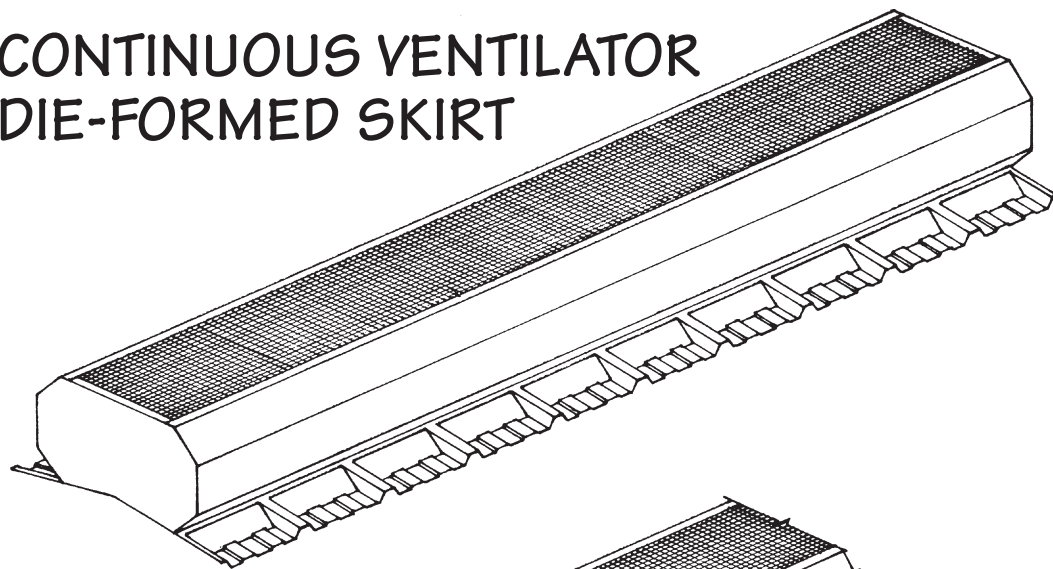
Die Fromed Skirt Vent Installation Instructions

1. Place tape seal on vent skirts. (No closure is needed)
2. With vent upside-down adjust end caps to pitch if necessary. (See end cap detail on installation drawing.)
3. Attach channel support to end of vent.
4. Place Gutter Support over rib at end of each vent.
5. Move vent over opening in roof.
6. Lower vent onto roof and position straight over opening with arrows on pullbar facing the direction as wall operator location.
7. Attach vent to roof using screws (NOT MP)
8. Repeat steps 1-7 If continuous run making sure to place arrows on pullbars facing same direction.

* FOR CONTINUOUS RUN

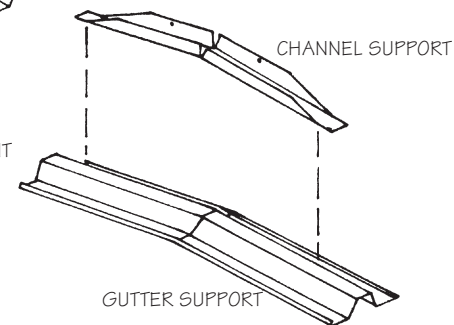
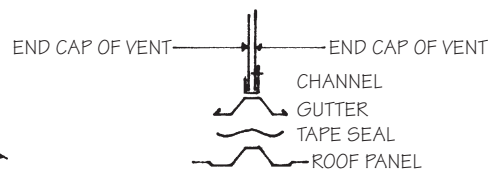
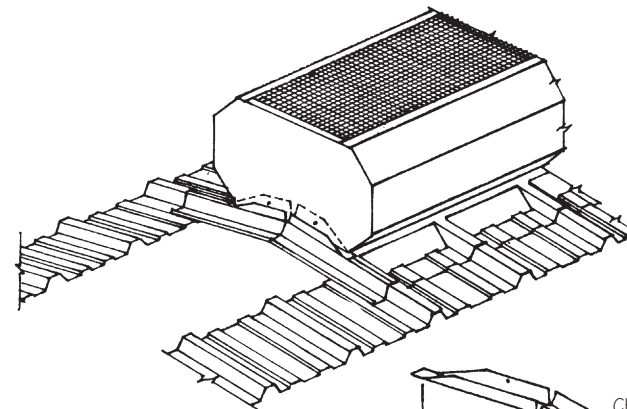
1. Attach cable to first vent and run through pulleys to end wall or side wall. Attach cable to operator.
2. Close first vent and then attach second vent to first vent using turnbuckle and adjust to ensure closure.
3. Repeat these steps as needed, linking no more than (6) vents per operator.

CONTINUOUS VENTILATOR DIE-FORMED SKIRT

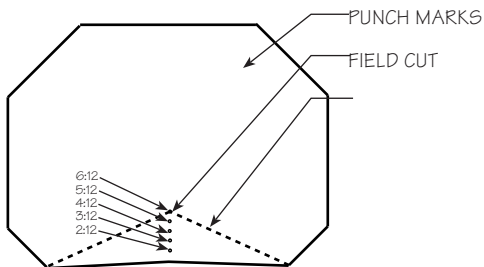
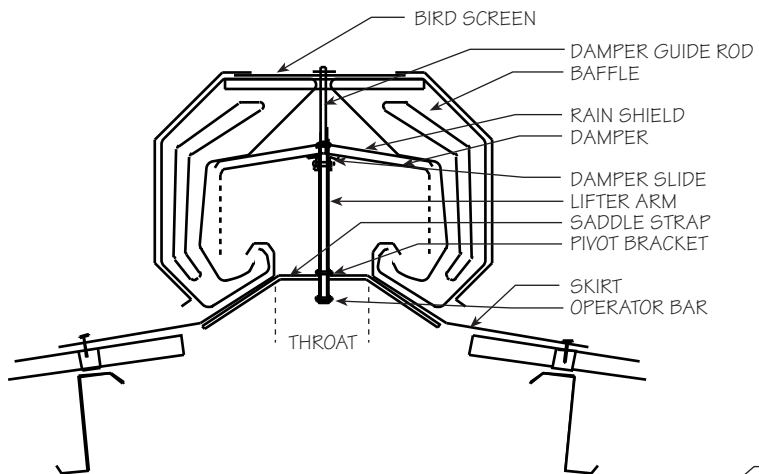


END OF VENT DETAIL

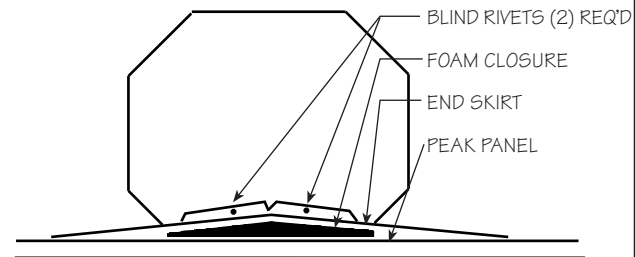
END SKIRT DETAIL AND CONTINUOUS VENT SPLICE



 METALLIC PRODUCTS 7777 Hollister Rd Houston, TX 77040 (713) 856-9696 • 1-800-356-7746 E-mail: info@mpvent.com	DATE: 4/22/97
	TITLE: DIE-FORMED SKIRT APPLICATION
	PART: CONTINUOUS VENT
Detail #1	

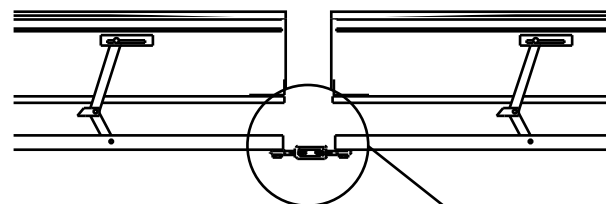
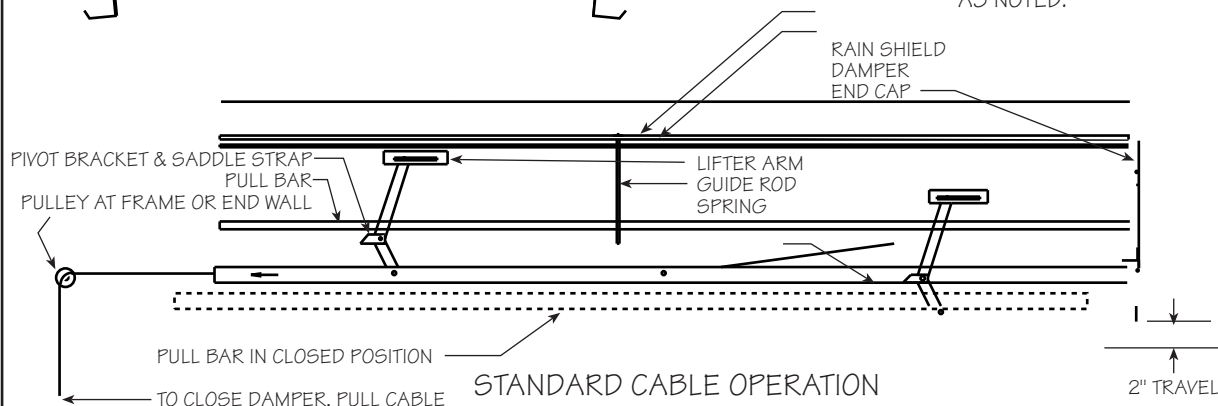


END CAP DETAIL
 NOTE: DOTTED LINE INDICATES FIELD CUT FOR 6:12 ROOF SLOPE. OTHER SLOPES AS NOTED.

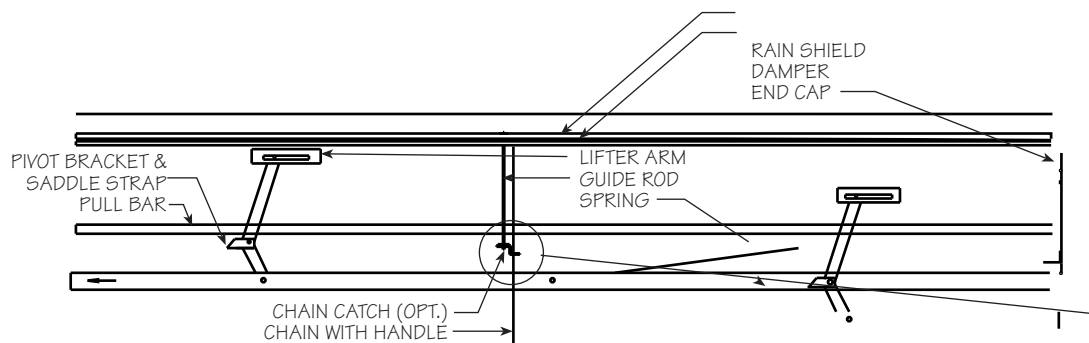
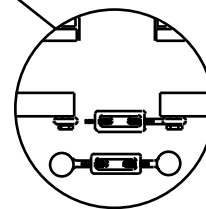


ROOF PITCH LESS THAN 1:12 INSTALLATION:
 INSTALL END SKIRT FOR 1:12 ROOF SLOPE AND FOAM CLOSURE WITH TAPE SEALER TOP AND BOTTOM.

ROOF PITCH GREATER THAN 5:12 INSTALLATION:
 REMOVE TWO BOTTOM RIVETS BEFORE INSTALLING END SKIRT. REPLACE THE RIVETS WITH SHEETING SCREWS ONCE END SKIRT IS IN PLACE.



PULL BAR CONNECTION DETAIL



OPTIONAL PULL CHAIN OPERATION (SINGLE UNITS ONLY)

PULL CHAIN MUST BE REMOVED FOR CONTINUOUS RUN OPERATION



METALLIC PRODUCTS 7777 Hollister Rd.
 Houston, TX 77040
 (713) 856-9696 • 1-800-356-7746

E-mail: info@mpvent.com

1/04/99
 DATE
INSTALLATION
 TITLE
DETAILS

PART:

Detail #2