

ADJUSTABLE GALVANIZED STEEL CENTER PIVOT LOUVER

Return to Louver
Spec. Page

Standard Construction Frame

4" deep 18 gauge galvanized steel channel type

Blade

20 gauge galvanized steel, 45° and spaced 3⁹/₁₆" center to center

Operator Type

Hand Crank

Screen

18-16 aluminum insect screen in removable frame.

Finish

Mill

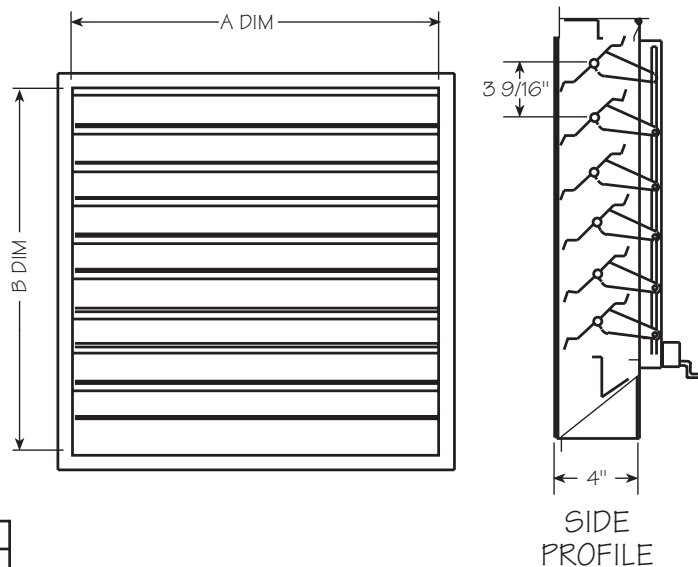
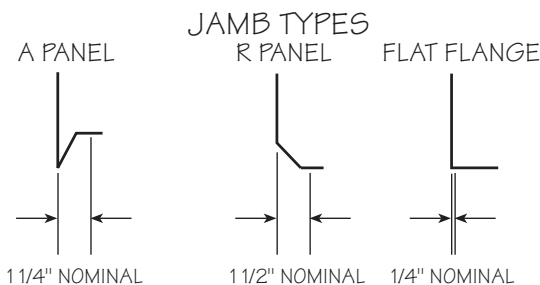
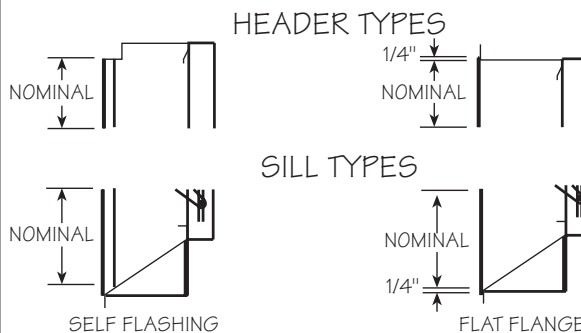
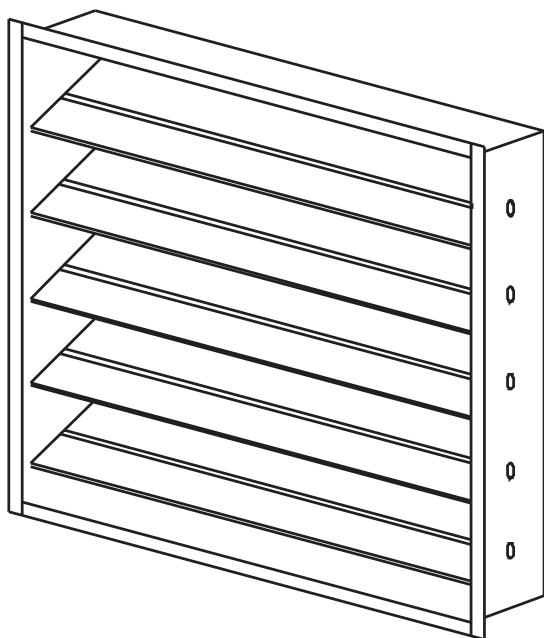
Features

- * Architecturally styled
- * All galvanized steel construction
- * Blade and jamb seals

Options

Changes to the basic design of this louver are available at additional cost. They include:

1. Extended sill
2. A variety of bird or insect screen
3. Selection of finishes: Baked enamel, polyurethane color match. (_____)
4. Pull Chain Operators available
5. Motor available
6. Mullions if needed
(Not for A panel or R panel type)



ORDERING INFORMATION

Circle Panel Type Above
Indicate FINISH in Options Above

QTY.	A DIM	B DIM	OPTIONS

NOTE:
MINIMUM SIZE IS 12" X 12"

 METALLIC PRODUCTS	7777 Hollister Road Houston, TX 77040 (713) 856-9696 • 1-800-356-7746 E-mail: info@mpvent.com	DATE: 6/27/00
		TITLE: GALVANIZED STEEL
		PART: CENTER PIVOT LOUVER

Return to Louver
Spec. Page