

BREEZEWAY WALL MOUNTED EXHAUST PROPELLER FANS

Return to Power Vent Page



ACCESSORIES AVAILABLE:

- WALL SHUTTER (GRAVITY)
- WALL MOUNTING COLLAR (KNOCKED DOWN)
- FRONT AND BACK GUARD

DIRECT DRIVE (TYPE P)

Versatile fans from 10" to 24" utilizing multi-speed motors in selected sizes, using fabricated props, with performances up to 6500 cfm.

BELT DRIVE (TYPE BLL)

Low cost fans designed specifically for low pressure applications, utilizing steel props, available in the three most popular sizes 24" , 30" , & 36" , with performances to 14,000 cfm.

BELT DRIVE (TYPE BFM)

Suitable in medium pressure applications beyond the BLL, utilizing steel props, available in all sizes from 24" to 48" , with performances up to 32,400 cfm.

PDQ models are exhaust only. Fans for supply applications are available through normal channels with standard lead times.



Penn Ventilation certifies that the BreezeWay Models are licensed to bear the AMCA Seal. The ratings shown are based on tests and procedures performed in accordance with the AMCA Publication 211 and Publication 311 and comply with the requirements of the AMCA Certified Ratings Program.



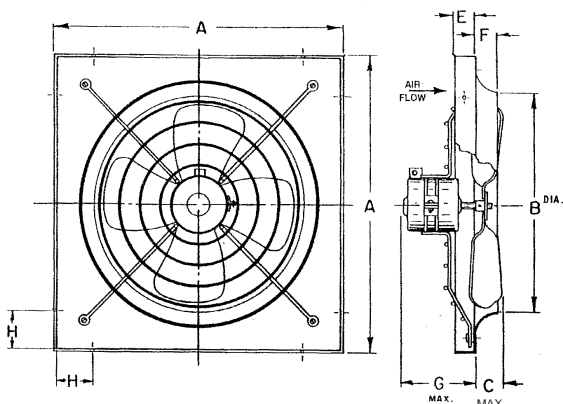
BreezeWay fans carry the UL label, UL705, (ZACT), File #E28413. Check Underwriters Laboratories Re-Examination Service for specific units listed.



Penn BreezeWay Fans are also certified by the Canadian Standard Association (File #LR13309)

DIMENSIONAL DATA

TYPE P

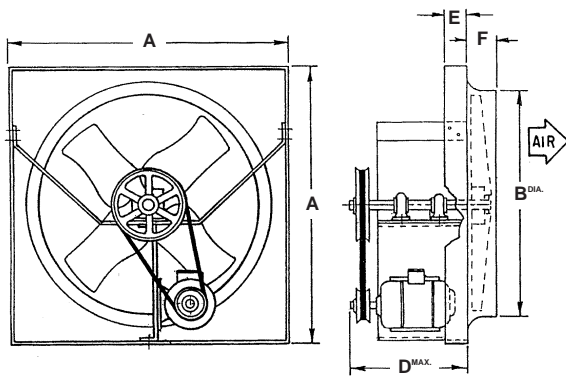


MODEL	A	B ^{DIA.}	C ^{MAX.}	E	F	G ^{MAX.}	H	WALL OPENING W _o	APPROX SHIP WT. (LBS.)	PANEL GAUGE
P10	15	10-3/4	2-1/2	1	1-1/4	6-1/2	3/4	15-3/4	12	18
P12	17	12-1/4	3-1/4	1	1	7-1/2	1-7/8	17-3/4	14	18
P16	22-3/4	16-3/4	3-3/4	1	2-1/4	11-1/4	2-7/8	23-1/2	30	18
P18	24-1/4	18-3/4	3-3/4	1	2	9-1/8	3-5/8	25	40	18
P20	26-3/4	20-7/8	3-3/4	1	1-3/4	12-1/2	3-1/4	27-1/2	50	18
P24	32-1/4	25	4-1/4	2	2-3/8	12-7/8	4- ¹¹ / ₁₆	33	76	18

All wire frames are 11 gauge.

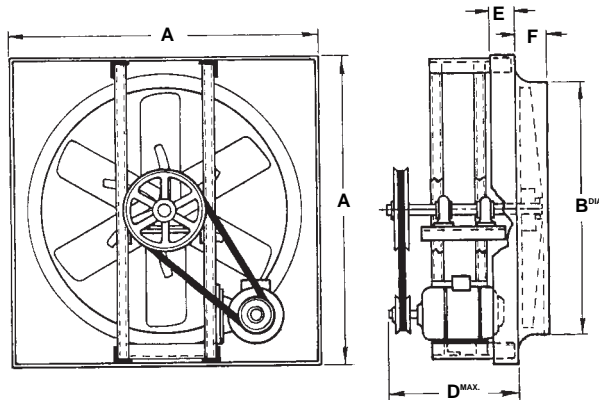
Return to Power Vent Page

215.464.8900 • Penn Ventilation



MODEL BLL

MODEL	A	B	D	E	F
BLL24	28	25	16	3	3
BLL30	34	31	18	2-1/2	3
BLL36	40	37	20	3	4-3/4



MODEL BFM

MODEL	A	B	D	E	F
BFM24	28	25	16	3	3
BFM30	34	31	18	2-1/2	3
BFM36	40	37	20	3	4-3/4
BFM42	46	43	22	3-3/4	4-1/2
BFM48	54	49	25	2-3/4	4-3/4

BREEZEWAY DIRECT DRIVE - P SERIES

24 MM UPS - P10VA thru P20SA

Available for shipment from Junction City, KY, Reno, NV & Farnham, Quebec, Canada.

MODEL	HP	MAX WATTS	RPM	TIP SPEED (FPM)	FAN CAPACITY IN CUBIC FEET PER MINUTE (CFM)																			
					0.000" SP		0.100" SP		0.125" SP		0.150" SP		0.200" SP		0.250" SP		0.300" SP		0.375" SP		0.500" SP		0.625" SP	
					CFM	SONES	CFM	SONES	CFM	SONES	CFM	SONES	CFM	SONES	CFM	SONES	CFM	SONES	CFM	SONES	CFM	SONES	CFM	SONES
P10VA	1/30	80	1050	2749	753	4.6	531	7.5	457	7.9	385	7.2	239	6.7										
P10RA	1/12	115	1550	4058	841	5.8	699	6.5	631	7.3	570	8.5	486	10.8	425	12.5	387	12.9	321	13.2				
P12VA	1/12	147	1050	3299	1343	10.7	1177	9.5	1123	9.9	1057	10.5	874	11.1	689	10.1	433	10.0						
P12RA	1/4	174	1550	4869	1489	10.3	1367	9.8	1326	10.1	1281	10.5	1160	11.7	1046	13.2	882	15.5	798	16.9	568	19.6		
P16VA	1/3	463	1050	4398	2546	9.1	2088	8.8	1859	8.7	1699	8.6	1257	8.3										
P16SA	1/2	550	1300	5445	3143	13.7	2933	14.0	2856	14.1	2758	14.3	2495	14.6	2244	15.0	1982	15.3	1671	15.4				
P16RA	1/2	724	1550	6492	3555	14.0	3301	14.1	3256	14.1	3211	14.2	3102	14.5	2955	15.3	2736	16.9	2514	18.3	1979	20		
P16Q1A	3/4	962	1650	6911	3760	16.3	3557	16.6	3508	16.7	3459	16.7	3358	16.9	3256	17.1	3123	17.6	2864	18.9	2369	22		
P18VA	1/2	522	1050	4948	4210	15.2	3845	15.1	3768	15.1	3661	15.1	3370	15.3	3030	15.1	2719	13.6	2215	13.1				
P18RA	3/4	1265	1550	7304	5233	20	4971	21	4971	21	4919	21	4787	22	4633	23	4383	25	4029	28	3547	35		
P20TA	3/4	815	1140	5969	4852	16.2	4449	16.4	4318	16.5	4185	16.7	3898	17.1	3570	17.7	3278	18.4	2717	20	1969	24		
P20SA	1	1415	1300	6807	6063	22	5786	22	5692	21	5597	21	5397	21	5149	21	4835	21	4466	21	3909	22		
P24VA	3/4	1117	1050	6597	6562	14.6	6210	14.6	6136	14.7	6063	14.7	5917	14.7	5758	14.9	5576	15.2	5249	15.8	4065	19.3		

Performance shown is for installation Type A: Free Inlet, Free Outlet. Speed (RPM) shown is nominal. Performance is based on actual speed of test. The sound ratings shown are for loudness values in fan sones at 5'0" (1.5m) in a hemispherical free field per AMCA Standard 301. Values shown are for Installation Type A: free inlet fan sone levels. Performance ratings include the effect of backguard in the airstream. For models shown on this page, the AMCA Certified Ratings Seal applies to air and sound. See page 33 for accessories. See page 34 for speed control availability.

BREEZEWAY V-BELT DRIVE - TYPE BLL

24 MM

Available for shipment from Junction City, KY & Farnham, Quebec, Canada.

MODEL	HP	RPM	TIP SPEED (FPM)	FAN CAPACITY - CUBIC FEET PER MINUTE (CFM)																		
				0.000" SP		0.100" SP		0.125" SP		0.150" SP		0.200" SP		0.250" SP		0.300" SP		0.375" SP		0.500" SP		
				Sones	BHP	Sones	BHP	Sones	BHP	Sones	BHP	Sones	BHP	Sones	BHP	Sones	BHP	Sones	BHP	Sones	BHP	
BLL24	1/4	737	4631	4771	4209	4010	3798	3120	2353													
	1/3	792	4976	15.5	0.28	14.4	0.30	14.3	0.30	14.2	0.30	14.2	0.30	14.7	0.30							
				5127	4620	4456	4266	3753	3095													
	1/2	912	5730	16.9	0.35	15.9	0.36	15.7	0.37	15.6	0.37	15.6	0.37	15.9	0.37							
				5904	5465	5355	5226	4906	4484	3934	3010											
	3/4	1048	6585	22	0.53	21	0.55	20	0.55	20	0.56	19.4	0.57	19.1	0.57	19.1	0.57	19.6	0.57			
6785				6402	6306	6211	5996	5718	5432	4735	3405											
1	1124	7062	25	0.81	24	0.83	24	0.83	24	0.84	23	0.85	23	0.86	23	0.86	24	0.87	24	0.87		
			7277	6920	6831	6742	6563	6333	6066	5567	4426											
BLL30	1/4	531	4170	31	1	29	1.02	29	1.02	29	1.03	28	1.04	27	1.05	27	1.06	27	1.07	27	1.07	
	1/3	572	4492	6739	5320	4767	4029	2138														
				12.2	0.26	12.0	0.29	12.2	0.29	12.4	0.27	13.7	0.28									
	1/2	657	5160	7260	6007	5567	5025	3123	1995													
				13.8	0.33	13.7	0.36	13.8	0.36	14.0	0.36	14.8	0.33	15.9	0.36							
	3/4	756	5938	8339	7299	6988	6632	5732	4020	2762	1675											
18.1				0.50	18.0	0.53	18.0	0.54	18.0	0.54	18.5	0.54	19.5	0.51	21	0.53	22	0.57				
1	810	6362	9595	8671	8461	8212	7612	6844	5908	3619	1887											
			21	0.76	21	0.80	21	0.80	21	0.81	21	0.83	22	0.82	22	0.79	24	0.79	26	0.87		
			10281	9406	9210	9015	8512	7891	7129	5107	2842											
			23	0.94	22	0.98	23	0.98	23	0.99	23	1.01	23	1.02	23	1.01	24	0.95	27	1.01		

Performance shown is for installation Type A: Free Inlet, Free Outlet. Power rating (BHP) does not include drive losses. The sound ratings shown are for loudness values in fan sones at 5'0" (1.5m) in a hemispherical free field per AMCA standard 301. Values shown are for installation Type A: Free inlet fan sone levels. Performance ratings do not include the effects of appurtenances in the airstream. See page 33 for accessories.

BREEZEWAY V-BELT DRIVE - TYPE BLL 24 MM



MODEL	HP	RPM	TIP SPEED (FPM)	FAN CAPACITY - CUBIC FEET PER MINUTE (CFM)															
				0.000" SP		0.100" SP		0.125" SP		0.150" SP		0.200" SP		0.250" SP		0.300" SP		0.350" SP	
				Sones	BHP	Sones	BHP	Sones	BHP	Sones	BHP	Sones	BHP	Sones	BHP	Sones	BHP	Sones	BHP
BLL36	1/4	381	3561	9017		5770		3780		2949									
				9.9	0.25	9.6	0.26	10.3	0.27	10.6	0.29								
	1/3	410	3832	9703		7170		5052		3829									
				11.4	0.31	10.6	0.33	11.3	0.31	11.8	0.34								
	1/2	472	4411	11170		9272		8626		7417		4361							
				15.3	0.48	14.2	0.50	13.8	0.51	14.3	0.50	15.6	0.52						
	3/4	543	5075	12851		11260		10819		10302		8471		5522		4295			
				18.9	0.73	18.4	0.76	18.2	0.76	18.0	0.77	18.3	0.76	19.3	0.77	19.8	0.85		
	1	582	5440	13774		12296		11913		11473		10238		7234		5508		4505	
				19.8	0.90	20	0.93	20	0.94	20	0.94	19.9	0.95	20	0.90	21	0.98	21	1.05

Performance shown is for installation Type A: Free Inlet, Free Outlet. Power rating (BHP) does not include drive losses. The sound ratings shown are for loudness values in fan sones at 5'0" (1.5m) in a hemispherical free field per AMCA standard 301. Values shown are for installation Type A: Free inlet fan sone levels. Performance ratings do not include the effects of appurtenances in the airstream. See page 33 for accessories.

BREEZEWAY V-BELT DRIVE - TYPE BFM 24 MM

MODEL	HP	RPM	TIP SPEED (FPM)	FAN CAPACITY - CUBIC FEET PER MINUTE (CFM)																	
				0.000" SP		0.100" SP		0.125" SP		0.150" SP		0.200" SP		0.250" SP		0.375" SP		0.500" SP		0.625" SP	
				Sones	BHP	Sones	BHP	Sones	BHP	Sones	BHP	Sones	BHP	Sones	BHP	Sones	BHP	Sones	BHP	Sones	BHP
BFM24	1/4	677	4342	5290		4524		4250		3936		3192		1898							
				14.7	0.29	13.9	0.30	13.7	0.30	13.6	0.30	13.4	0.30	13.4	0.30						
	1/3	728	4669	5688		5007		4771		4508		3902		2934							
				16.0	0.36	15.4	0.37	15.0	0.37	14.6	0.37	14.5	0.37	14.5	0.37						
	1/2	838	5375	6548		5992		5822		5625		5176		4657		2489					
				19.7	0.55	19.2	0.56	18.9	0.56	18.6	0.56	18.0	0.57	17.8	0.56						
	3/4	963	6177	7525		7061		6925		6788		6451		6068		4919		2788			
				24	0.84	23	0.84	23	0.84	23	0.85	22	0.86	22	0.86	21	0.86	21	0.86		
	1	1032	6619	8064		7643		7515		7388		7104		6773		5771		4201			
				26	1.03	25	1.03	25	1.04	24	1.04	24	1.05	24	1.06	23	1.05	23	1.06		
1-1/2	1186	7607	9267		8903		8812		8704		8482		8243		7500		6597		5390		
			31	1.56	30	1.57	30	1.57	30	1.57	29	1.58	29	1.59	28	1.61	28	1.59	28	1.61	
BFM30	1/4	442	3529	6875		5618		5065		3891											
				15.1	0.29	14.8	0.30	14.7	0.30	14.4	0.28										
	1/3	476	3801	7404		6297		5906		5311		3514									
				15.0	0.36	14.7	0.37	14.7	0.37	14.5	0.37	14.0	0.36								
	1/2	547	4368	8508		7589		7314		6996		6056		4248							
				16.8	0.55	16.7	0.57	16.6	0.57	16.5	0.57	16.1	0.57	15.4	0.54						
	3/4	629	5022	9784		9013		8793		8557		8025		7275		4306					
				20	0.83	19.8	0.86	19.7	0.86	19.5	0.86	19.4	0.86	19.2	0.87	18.2	0.86				
	1	675	5390	10499		9794		9592		9385		8940		8393		5342					
				23	1.03	22	1.06	22	1.06	22	1.07	22	1.07	22	1.06	20	1.01				
1-1/2	775	6188	12055		11451		11289		11118		10758		10370		9040		6038				
			28	1.56	27	1.59	26	1.60	26	1.61	25	1.61	25	1.61	26	1.62	25	1.53			
2	855	6827	13299		12760		12614		12467		12153		11822		10861		9276		6505		
			33	2.09	31	2.13	31	2.14	30	2.15	30	2.16	29	2.17	29	2.16	30	2.16	28	2.08	
BFM36	1/4	364	3431	8137		5969		5109													
				8.5	0.26	9.1	0.30	9.4	0.30												
	1/3	392	3695	8763		7051		6106		5365											
				9.7	0.32	10.2	0.37	10.5	0.37	10.8	0.37										
	1/2	451	4251	10082		8838		8301		7517		6138									
				12.0	0.49	12.2	0.55	12.4	0.56	12.8	0.57	13.5	0.57								
	3/4	518	4882	11579		10601		10266		9852		8563		7335							
				16.2	0.75	16.0	0.81	16.0	0.83	15.9	0.85	16.4	0.86	17.1	0.85						
	1	556	5240	12429		11542		11269		10927		10026		8698							
				18.0	0.92	17.6	1.00	17.6	1.01	17.6	1.03	17.5	1.06	18.4	1.06						
1-1/2	639	6022	14284		13541		13327		13098		12533		11778		9144						
			27	1.40	26	1.49	25	1.51	25	1.53	24	1.57	24	1.61	24	1.61					
2	704	6635	15738		15076		14892		14696		14273		13719		11526		9390				
			27	1.87	26	1.97	26	1.99	26	2.01	26	2.06	25	2.10	26	2.16	27	2.17			
3	808	7615	18062		17494		17347		17186		16850		16487		15245		13124		11221		
			39	2.83	38	2.94	38	2.96	38	2.99	37	3.04	37	3.09	35	3.22	35	3.26	35	3.26	
BFM42	1	403	4431	15483		13597		12906		12076		10151		7012							
				18.1	1.03	17.1	1.06	16.7	1.07	16.3	1.05	15.9	1.01	16.4	1.02						
	1-1/2	463	5091	17788		16241		15785		15201		13802		12064							
				22	1.56	21	1.60	21	1.61	21	1.62	20	1.59	19.7	1.53						
	2	511	5619	19632		18267		17875		17469		16389		15026		10227					
				27	2.10	26	2.15	25	2.15	25	2.16	24	2.17	24	2.13	23	2.04				
	3	586	6443	22514		21367		21038		20695		19983		19059		15925		11359			
				32	3.17	31	3.22	31	3.23	31	3.24	30	3.26	30	3.28	28	3.13	28	3.08		
	5	696	7653	26740		25775		25533		25290		24714		24137		22251		19604		16948	
				40	5.30	40	5.37	40	5.39	40	5.40	39	5.43	39	5.45	38	5.49	37	5.3	37	5.19
BFM48	3/4	315	3958	17478		14975		14138		13265		9778									
				13.5	0.75	12.9	0.84	12.9	0.85	13.0	0.86	13.4	0.85								
	1	338	4247	18754		16504		15767		14979		12841		9510							
				15.4	0.93	14.7	1.03	14.6	1.04	14.6	1.05	14.9	1.06	15.4	1.06						
	1-1/2	389	4888	21584		19726		19169		18556		17203		15621							
				18.8	1.42	17.8	1.54	17.7	1.56	17.5	1.58	17.4	1.61	17.5	1.62						
	2	429	5391	23803		22159		21690		21184		20046		18806		13159					
				22	1.90	21	2.04	21	2.07	20	2.09	20	2.13	20	2.16	21	2.15				
	3	492	6183	27299		25906		25516		25115		24244		23269		20490		14860			
				31	2.87	30	3.03	30	3.07	29	3.10	29	3.16	29	3.20	28	3.27	30	3.25		
5	584	7339	32404		31260		30951		30631		29970		29270		27209		24926		20362		
			44	4.80	43	5.00	43	5.05	42	5.09	42	5.18	42	5.25	41	5.38	41	5.46	41	5.41	

Performance shown is for installation Type A: Free Inlet, Free Outlet. Power rating (BHP) does not include drive losses. The sound ratings shown are for loudness values in fan sones at 5'0" (1.5m) in a hemispherical free field per AMCA standard 301. Values shown are for installation Type A: Free inlet fan sone levels. Performance ratings do not include the effects of appurtenances in the airstream. See page 33 for accessories. See page 34 for speed control availability.

