

# ADJUSTABLE GALVANIZED STEEL BACK PIVOT LOUVER

Return to Louver  
Spec. Page

## Standard Construction Frame

4" deep 18 gauge galvanized steel channel type

## Blade

20 gauge galvanized steel, 85° and spaced 3<sup>3</sup>/<sub>16</sub>" center to center

## Operator Type

Hand Crank

## Screen

18-16 aluminum insect screen in removable frame.

## Finish

Mill

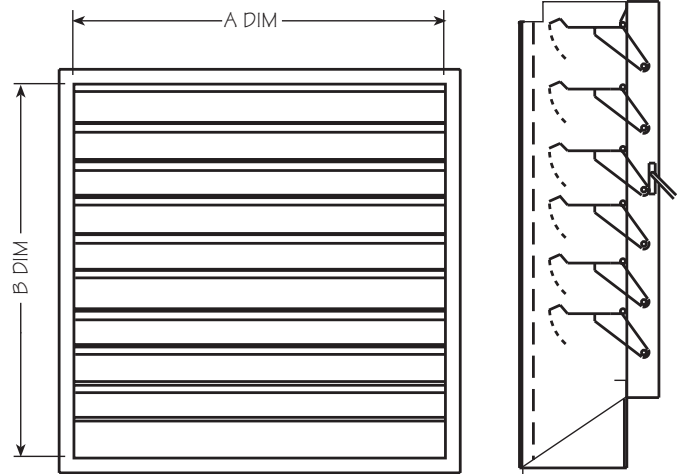
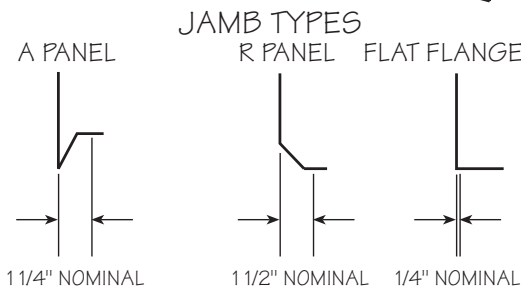
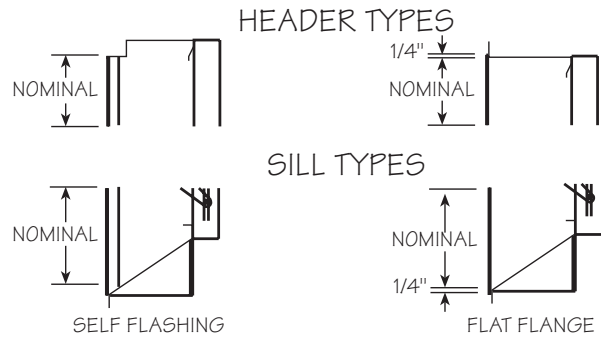
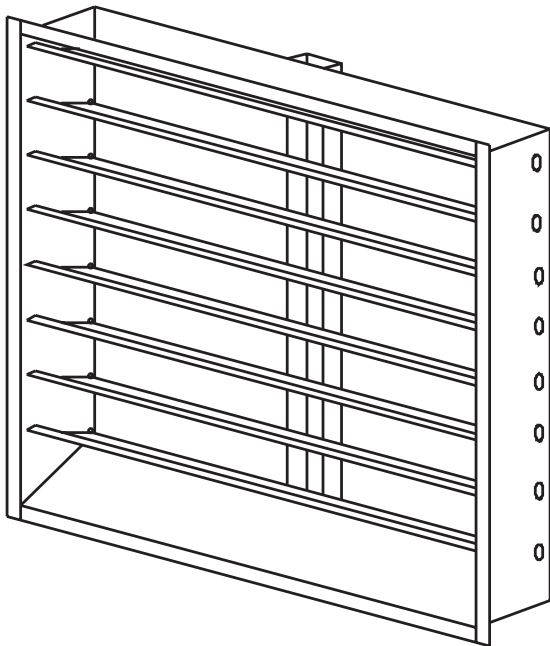
## Features

- \* Architecturally styled
- \* All galvanized steel construction
- \* Blade and jamb seals

## Options

Changes to the basic design of this louver are available at additional cost. They include:

1. Extended sill
2. A variety of bird or insect screen
3. Selection of finishes: Baked enamel, polyurethane color match. (\_\_\_\_\_)
4. Pull Chain Operators available
5. Motor available
6. Mullions if needed  
(Not for A panel or R panel type)




## ORDERING INFORMATION

Circle Panel Type Above  
Indicate FINISH in *Options* Above

QTY.	A DIM	B DIM	OPTIONS

NOTE:  
MINIMUM SIZE IS 12" X 12"

 <b>METALLIC PRODUCTS</b>	7777 Hollister Road Houston, TX 77040 (713) 856-9696 • 1-800-356-7746 E-mail: info@mpvent.com	DATE: 6/27/00
		TITLE: GALVANIZED STEEL
		PART: BACK PIVOT LOUVER

Return to Louver  
Spec. Page