



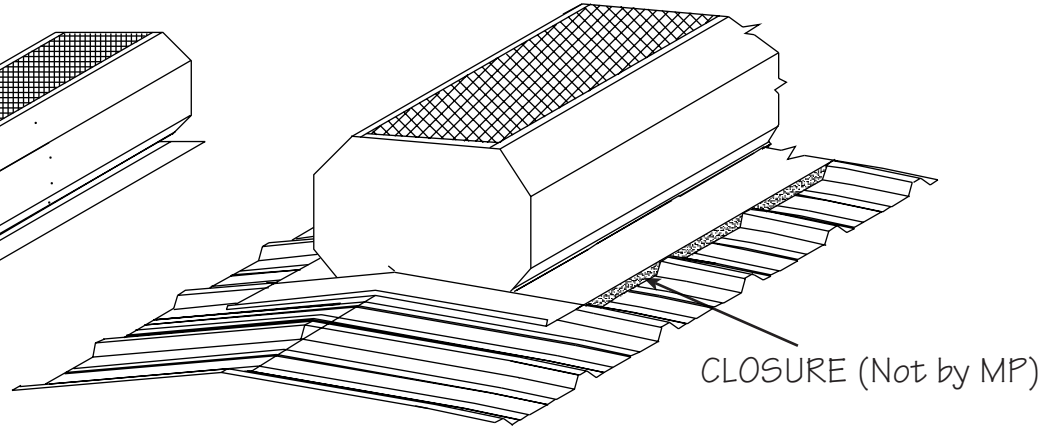
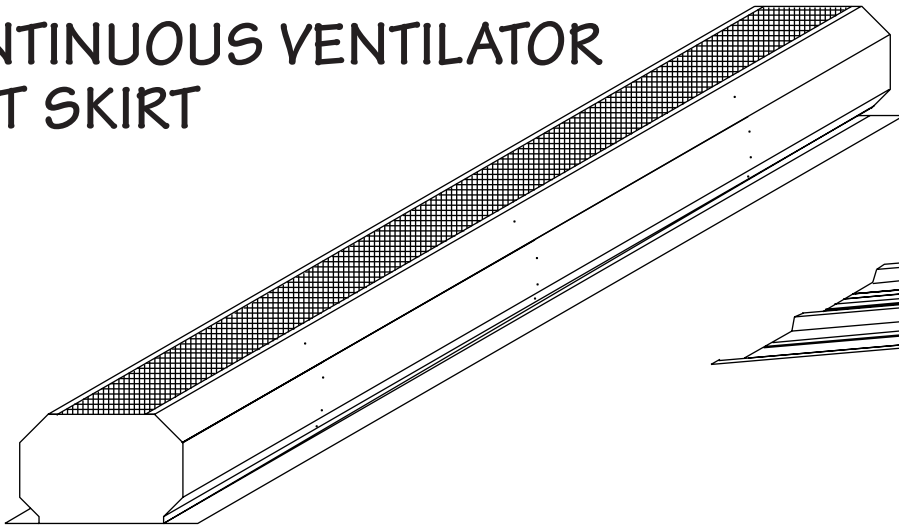
VENT INSTALLATION INSTRUCTIONS FOR FLAT SKIRT VENTS

1. INSTALL OUTSIDE CLOSURE PER MANUFACTURES SPECIFICATION.
2. INSTALL TAPE SEAL ON TOP OF CLOSURE.
3. WITH VENT UPSIDEDOWN ADJUST END CAPS TO PITCH IF NECESSARY. (SEE END CAP DETAIL ON INSTALLATION DRAWING.)
4. ATTACH END SKIRT TO ENDS OF VENT WITH POP RIVETS OR SELF-DRILLING SCREWS. IF FOR R PANEL USE REGULAR END SKIRTS, ***(IF FOR STANDING SEAM PANEL USE SPECIAL HEAVY GAUGE END SKIRTS.)***
5. MOVE VENT OVER OPENING IN ROOF.
6. LOWER VENT ON TO ROOF AND POSITION STRAIGHT OVER OPENING WITH ARROWS ON PULLBAR FACING THE DIRECTION OF OPERATOR.
7. ATTACH VENT TO ROOF USING SCREWS (NOT MP)
8. REPEAT STEPS 1-7 IF CONTINUOUS RUN MAKING SURE TO PLACE ARROWS ON PULLBARS FACING SAME DIRECTION.

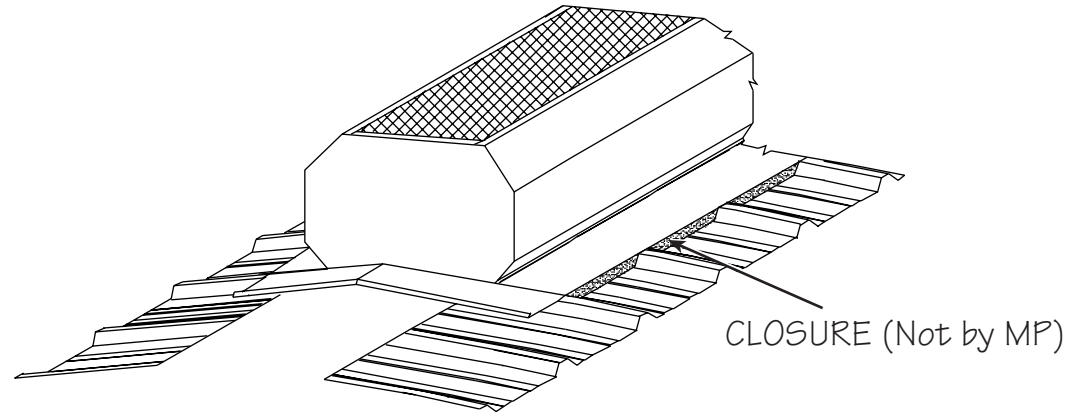
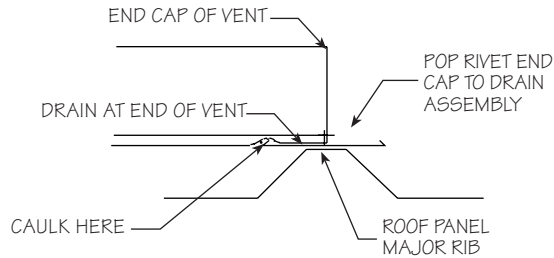
* FOR CONTINUOUS RUN

1. ATTACH CABLE TO FIRST VENT AND RUN THROUGH PULLEYS TO THE END WALL. ATTACH CABLE TO OPERATOR OR BOAT WINCH.
2. CLOSE FIRST VENT AND THEN ATTACH SECOND VENT TO FIRST USING TURNBUCKLE AND ADJUST TO ENSURE CLOSURE.
3. REPEAT THESE STEPS AS NEEDED, LINKING NO MORE THAN (6) VENTS PER OPERATOR.

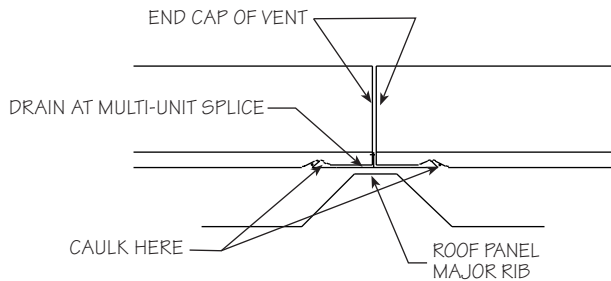
CONTINUOUS VENTILATOR FLAT SKIRT




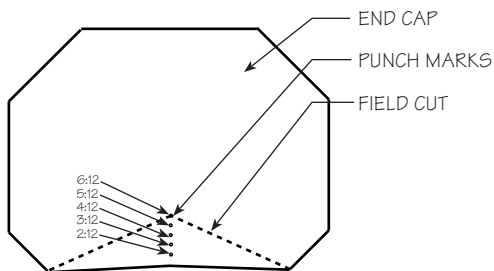
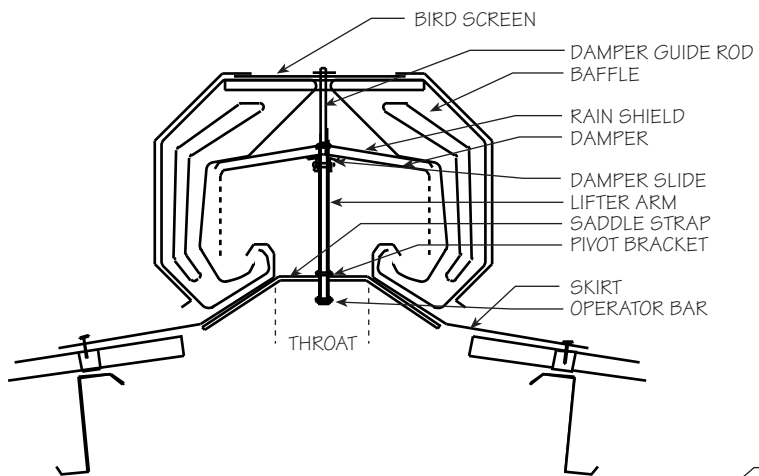
END OF VENT DETAIL



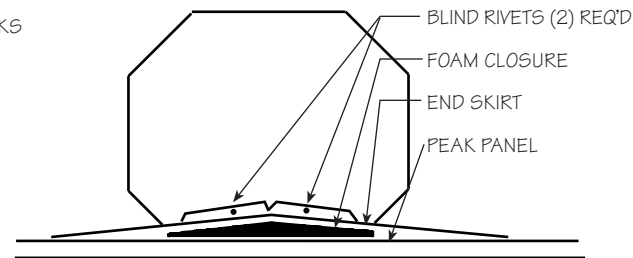
END SKIRT DETAIL AND
CONTINUOUS VENT SPLICE



 METALLIC PRODUCTS 3306 Ella Blvd. Houston, TX 77018 (713) 688-6624 • 1-800-356-7746 E-mail: info@mpvent.com	DATE: 4/22/97
	TITLE: FLAT SKIRT APPLICATION
	PART: CONTINUOUS VENT

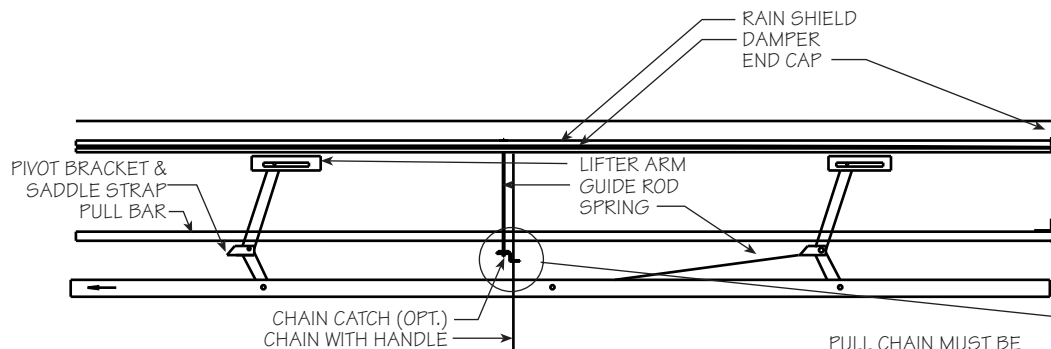
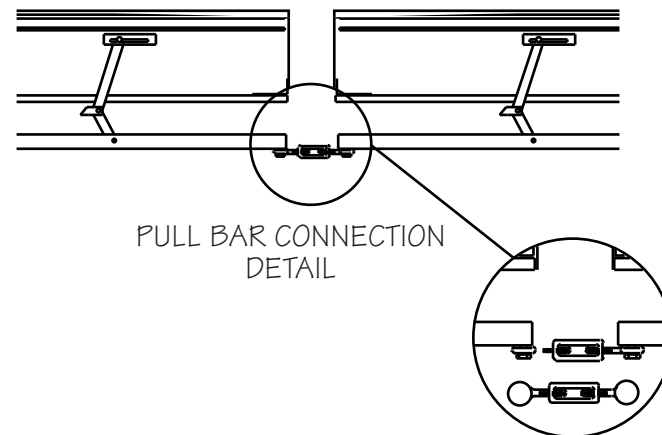
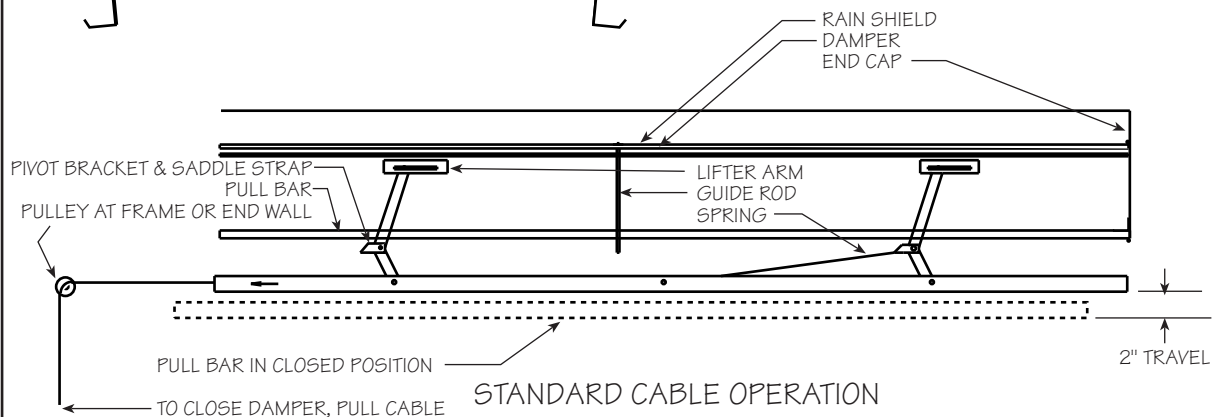


END CAP DETAIL
 NOTE: DOTTED LINE INDICATES FIELD CUT FOR 6:12 ROOF SLOPE. OTHER SLOPES AS NOTED.



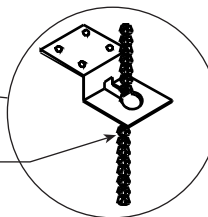
ROOF PITCH LESS THAN 1:12 INSTALLATION:
 INSTALL END SKIRT FOR 1:12 ROOF SLOPE AND FOAM CLOSURE WITH TAPE SEALER TOP AND BOTTOM.

ROOF PITCH GREATER THAN 5:12 INSTALLATION:
 REMOVE TWO BOTTOM RIVETS BEFORE INSTALLING END SKIRT. REPLACE THE RIVETS WITH SHEETING SCREWS ONCE END SKIRT IS IN PLACE.



OPTIONAL PULL CHAIN OPERATION
 (SINGLE UNITS ONLY)

PULL CHAIN MUST BE REMOVED FOR CONTINUOUS RUN OPERATION



MP METALLIC PRODUCTS 3306 Ella Blvd. Houston, TX 77018
 (713) 688-6624 • 1-800-356-7746
 E-mail: info@mpvent.com

DATE:	1/04/99
TITLE:	INSTALLATION DETAILS
PART:	FLAT SKIRT CONTINUOUS VENT